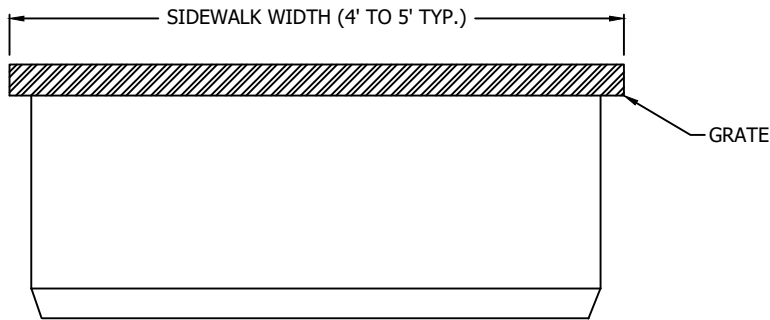
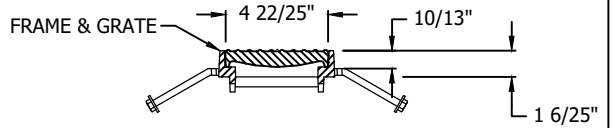
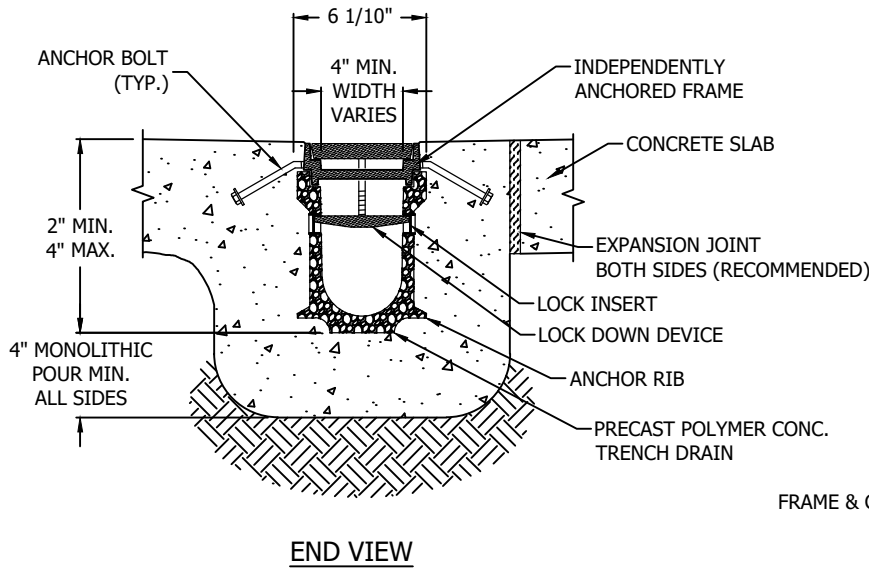
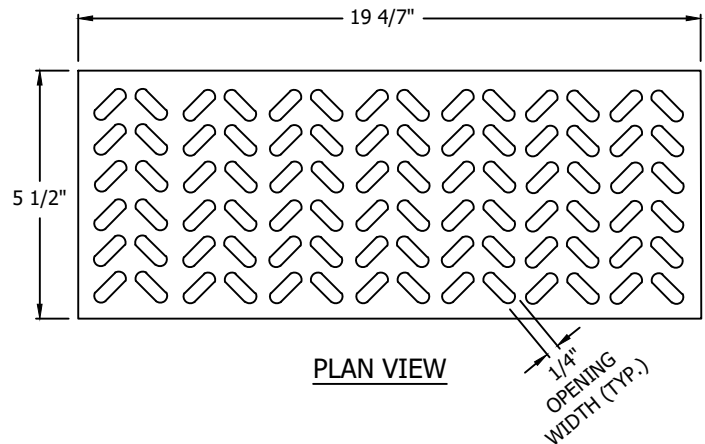


NOT TO SCALE




SIDE VIEW



PLAN VIEW

NOTES:

1. PRODUCT IS TRENCH FORMER TFX (www.abtdrains.com), POLYCAST DRAIN (www.polycastdrain.com), OR EQUIVALENT.
2. TO BE USED IN LIEU OF D-19, WHEN CURB HEIGHT DOES NOT ALLOW PIPE INSTALLATION.
3. USE ADA/HEEL PROOF GRATE PER ADA SPECIFICATION 302.3.

CITY OF KIRKLAND	
PLAN NO. CK - D.19B	
	PRECAST CHANNEL DRAIN FORMING SYSTEM