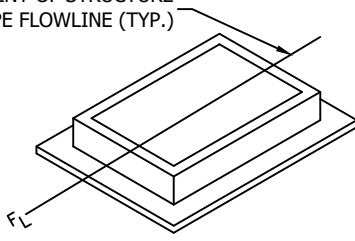
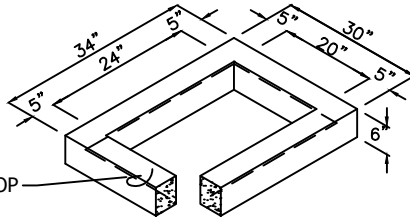


ALIGNMENT OF STRUCTURE TO PIPE FLOWLINE (TYP.)

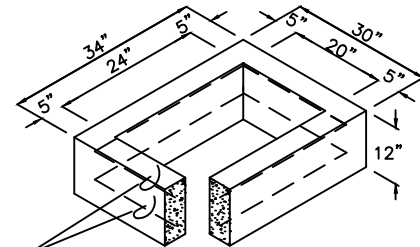


FRAME AND GRATE
(SEE STANDARD DETAILS D.11 THROUGH D.16A)



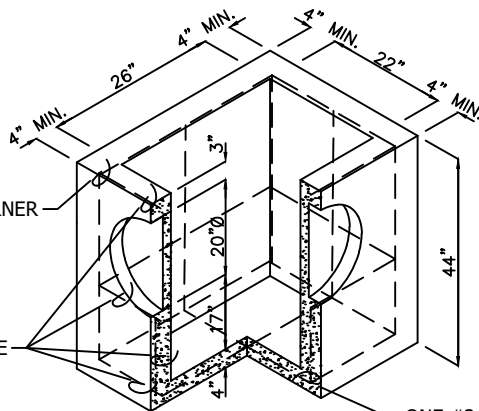
ONE #3 BAR HOOP

6" RISER SECTION



TWO #3 BAR HOOPS

12" RISER SECTION



#3 BAR EACH CORNER

#3 BAR EACH SIDE

ONE #3 BAR EACH WAY

PRECAST BASE SECTION
(MEASUREMENT AT THE TOP OF THE BASE)

NOTES:

1. CATCH BASINS SHALL BE CONSTRUCTED IN ACCORDANCE WITH ASTM C478 (AASHTO M 199) & C890 UNLESS OTHERWISE SHOWN ON PLANS OR NOTED IN THE STANDARD SPECIFICATIONS.
2. AS AN ACCEPTABLE ALTERNATIVE TO REBAR, WELDED WIRE FABRIC HAVING A MIN. AREA OF 0.12 SQUARE INCHES PER FOOT MAY BE USED. WELDED WIRE FABRIC SHALL COMPLY TO ASTM A497 (AASHTO M 221). WIRE FABRIC SHALL NOT BE PLACED IN KNOCKOUTS.
3. ALL REINFORCED CAST-IN-PLACE CONCRETE SHALL BE CLASS 4000.
4. PRECAST BASES SHALL BE FURNISHED WITH CUTOUTS OR KNOCKOUTS. KNOCKOUTS SHALL HAVE A WALL THICKNESS OF 2" MIN. ALL PIPE SHALL BE INSTALLED IN FACTORY PROVIDED KNOCKOUTS. UNUSED KNOCKOUTS NEED NOT BE GROUTED IF WALL IS LEFT INTACT.
5. KNOCKOUT OR CUTOUT HOLE SIZE IS EQUAL TO PIPE OUTER DIAM. PLUS CATCH BASIN WALL THICKNESS.
6. ROUND KNOCKOUTS MAY BE ON ALL 4 SIDES, WITH MAX. DIAM. OF 20". KNOCKOUTS MAY BE EITHER ROUND OR "D" SHAPE.
7. THE MAX. DEPTH FROM THE FINISHED GRADE TO THE PIPE INVERT IS 5'-0".
8. THE TAPER ON THE SIDES OF THE PRECAST BASE SECTION AND RISER SECTION SHALL NOT EXCEED 1/2" PER FOOT.
9. CATCH BASIN FRAME AND GRATE SHALL BE IN ACCORDANCE WITH STANDARD SPECIFICATIONS. MATING SURFACES SHALL BE FINISHED TO ASSURE NON-ROCKING FIT WITH ANY COVER POSITION.
10. FRAME AND GRATE SHALL BE INSTALLED WITH FLANGE DOWN.
11. EDGE OF RISER OR BRICK SHALL NOT BE MORE THAN 2" FROM VERTICAL EDGE OF CATCH BASIN WALL.
12. ACCEPTABLE PIPE SIZES ARE 8", 12" OR 15". 6" PIPE IS ONLY ACCEPTABLE ON PRIVATE SYSTEMS.
13. ROUND SOLID LIDS REQUIRED WHENEVER CATCH BASIN DOES NOT COLLECT SURFACE WATER. SEE CK-D.18 AND CK-D.18A FOR REFERENCE.
14. ROUND CONCRETE RISERS ARE REQUIRED FOR ROUND SOLID LOCKING LIDS.
15. ALL NEW PVC PIPES SHALL BE INSTALLED WITH SAND COLLARS AND A NON-SHRINK GROUT. JETSET OR SPEED CRETE RED LINE GROUT NOT ALLOWED.
16. 1", 2", AND 4" RISERS ACCEPTED AS NEEDED.
17. MINIMUM 10' FROM ADJACENT TREES, UNLESS OTHERWISE APPROVED.
18. CLEAN SURFACE AND BOTTOM AREA. PROVIDE UNIFORM CONTACT. THE SURFACE AREA OF THE BASE SECTION MUST BE MORTARED TO THE BOTTOM AREA OF THE RISER SECTION.

CITY OF KIRKLAND

PLAN NO. CK - D.07



CATCH BASIN
TYPE 1