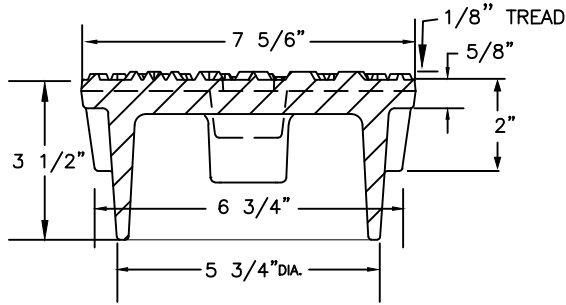
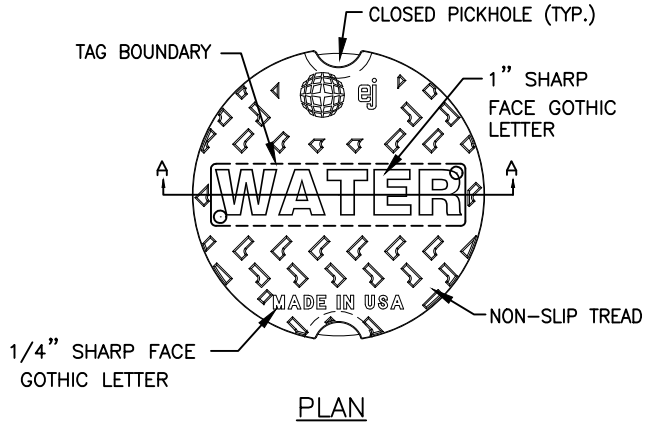


VALVE BOX COVER

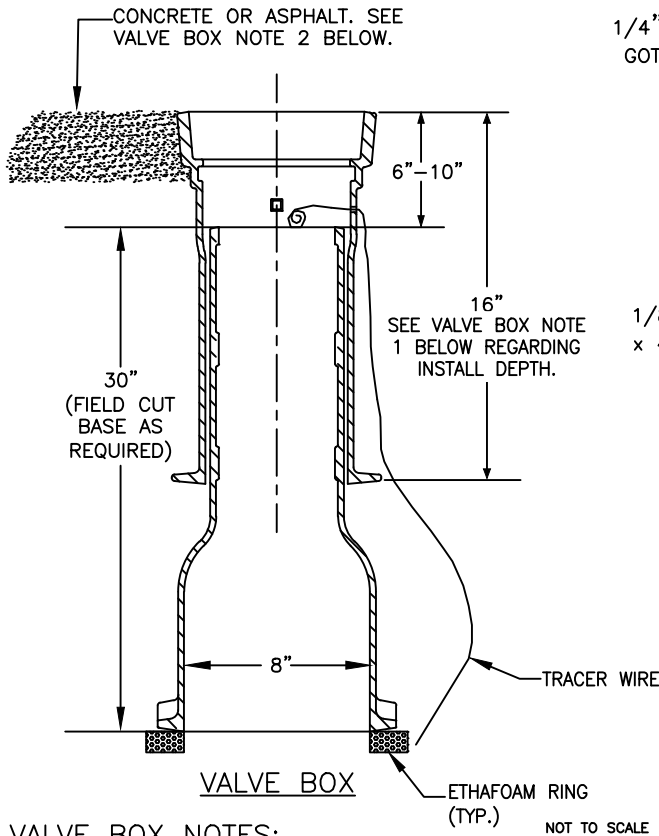
LAST UPDATED
APRIL 2026



SECTION A-A



PLAN

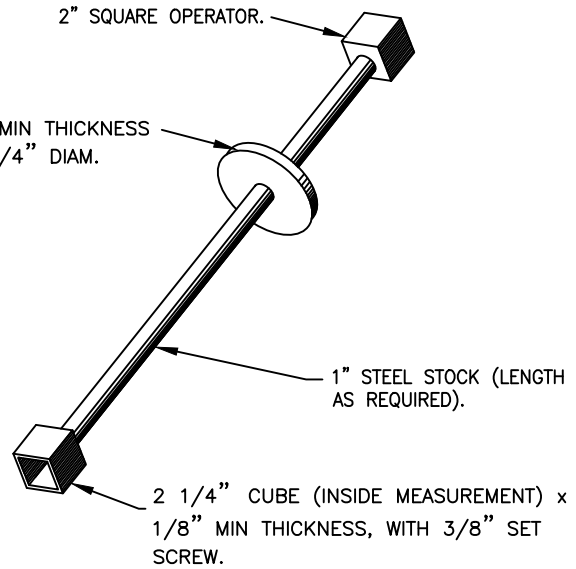


VALVE BOX

NOT TO SCALE

VALVE BOX NOTES:

- CAST-IRON VALVE BOX AND COVER SHALL BE EAST JORDAN IRON WORKS:
 - VALVE BOX COVER 06800001
 - VALVE BOX TOP 85557016U
 - VALVE BOX BOTTOM 85556030U
 FOR SHALLOW OR DEEP INSTALLS, VALVE BOX TOP SHALL BE DETERMINED BY CITY OF KIRKLAND.
- IF VALVE BOX IS IN AN UNPAVED AREA, PROVIDE 1' RADIUS x 4" MINIMUM DEPTH CONCRETE OR ASPHALT PAVING AROUND VALVE BOX. CONCRETE SHALL HAVE A BROOM/TROWEL FINISH.
- INSTALL ETHAFOAM RING BETWEEN BASE OF VALVE BOX AND GATE VALVES OR ON CONCRETE BRICKS FOR BALL VALVES. ETHAFOAM RING TO BE 2" IN THICKNESS.
- VALVE TOP TO HAVE A HOLE DRILLED OR SLOT CUT INTO SIDE FOR TRACER WIRE. PROVIDE 12" MIN. OF TRACER WIRE IN VALVE BOX.



VALVE OPERATING NUT EXTENSION

- EXTENSION TO USED WHEN APPROVED BY COK PW.

VALVE OPERATING NUT EXTENSION NOTES:

- VALVE OPERATING NUT EXTENSIONS ARE REQUIRED WHEN VALVE NUT IS MORE THAN 5' BELOW FINISHED GRADE.
- LENGTH AS REQUIRED TO PUT OPERATING NUT TWO (2) FEET FROM FINISHED GRADE.
- EXTENSIONS TO BE A MINIMUM OF TWO (2) FEET LONG.
- ONE (1) EXTENSION PER VALVE.
- NO ADJUSTABLE VALVE EXTENSIONS ALLOWED.
- WHEN AN EXTENSION IS REQUIRED, USE A SOILS PIPE BETWEEN VALVE BOX TOP AND VALVE BOX BOTTOM. LENGTH TO FIT.

PRE-APPROVED PLAN

PLAN NO.

CK-W.35

CITY OF KIRKLAND
WATER VALVE BOX

