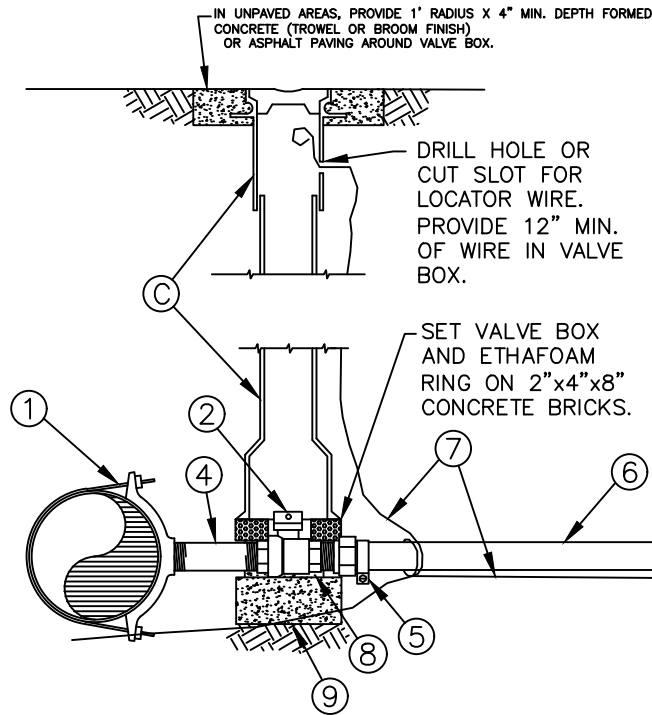
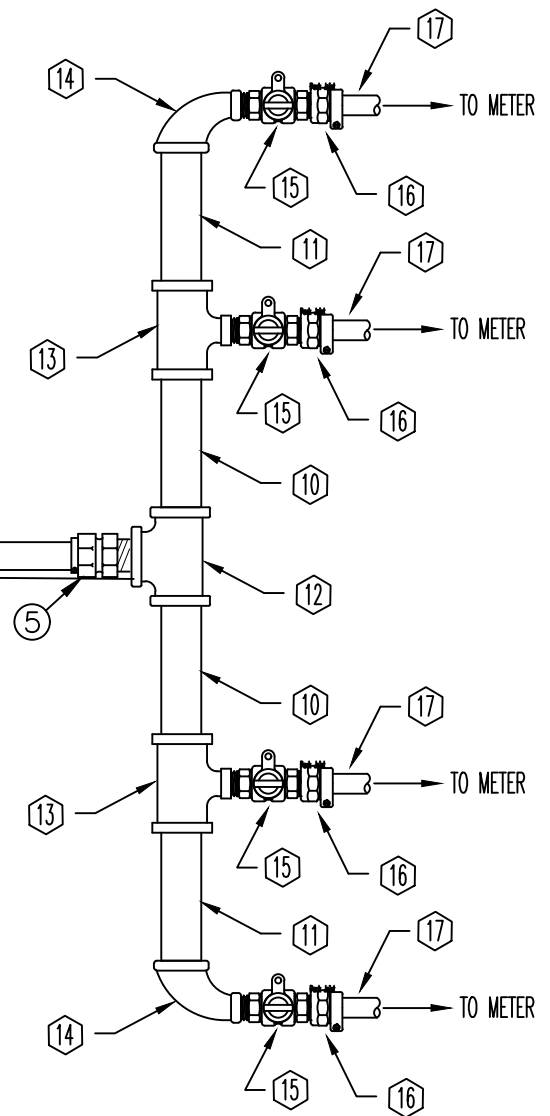


SIDE VIEW
[CONNECTION TO WATERMAIN]



PLAN VIEW
[MANIFOLD]



WATER SERVICE STANDARDS

DESCRIPTION	MAKER OR RATING	2" MANIFOLD
1. Single Strap Saddle	Ford or Equal	FC 201
2. Ball Valve w/2" Operating Nut	Ford or Equal	B11-777-NL / #QT-67
3. Two-Piece Cast Iron w/ Ethafoam Ring Valve Box	See Std Water	CK-W.35
4. Brass Close Nipple	MIP X MIP	
5. Adapt MIP X Pack	Ford or Equal	#C84-77-NL/Ford insert-55
6. 2" Pex	Rehau Munici Pex	See Stad Water CK-W.19
7. Tracer Wire 14 GA		See Stad Water CK-W.19
8. 2-2"x4"x8" Concrete Brick		One on each side of ball valve
9. 4"x8"x16" Concrete Block		
10. Nipple Brass		2" x 12"
11. Nipple Brass		2" x 18"
12. Brass Tee		2" x 2"
13. Brass Tee		2" x 1"
14. Brass 90 degree Elbor		2" x 1"
15. 1" Ball Valve Curbstop	Ford or Equal	See Stad Water CK-W.18
16. 1" Pack Joint		See Stad Water CK-W.18
17. 1 1/4" Pex		

NOTES

- SERVICES TO BE 1 1/4 INCH PEX PER CK-W.18.
- COPPER WIRE TO ALL METERS USING SPLIT BOLT CONNECTOR FOR SPLICE.
- TO BE USED ONLY IF REQUIRED BY PUBLIC WORKS DEPT.
- MAX FOUR 1 INCH SERVICES PER 2 INCH MANIFOLD.

CITY OF KIRKLAND

PLAN NO. CK-W.33



2" MANIFOLD FOR
4 TO 6 SERVICES