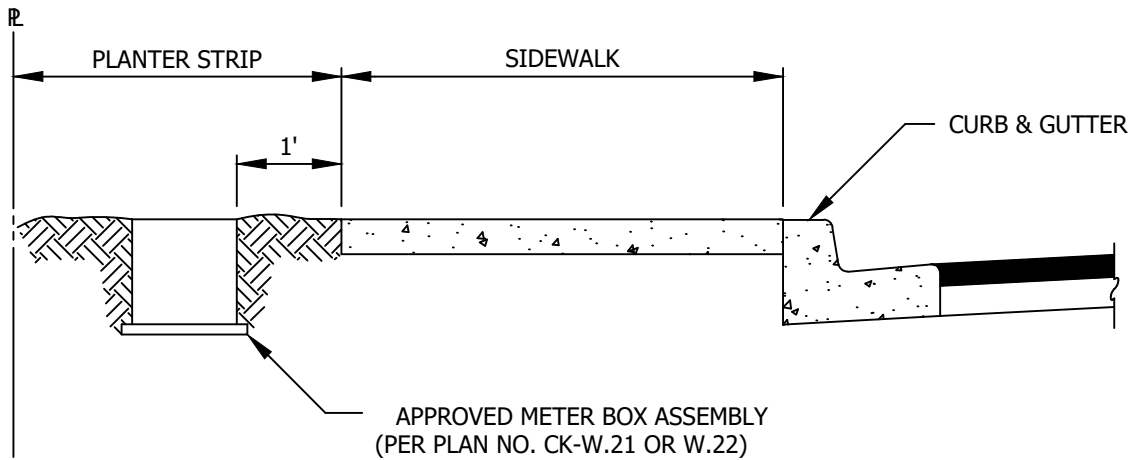
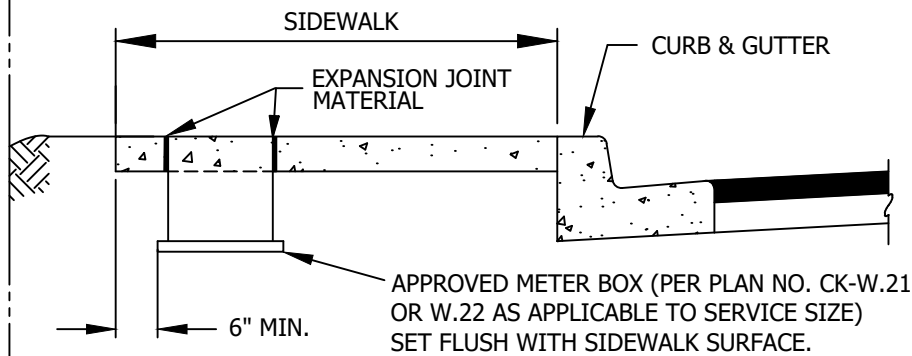


INSTALLATION IN PLANTER STRIP 3' OR WIDER



INSTALLATION BEHIND SIDEWALK



METER BOX TO BE INSTALLED
IN SIDEWALK COMPLETELY 6"
FROM EDGE

INSTALLATION IN SIDEWALK (SEE NOTE 2)

NOTES:

1. WATER METERS MUST BE LOCATED ALONG THE FRONTAGE THAT THE PROPERTY IS ADDRESSED FROM UNLESS OTHERWISE APPROVED BY THE PUBLIC WORKS DEPARTMENT.
2. WATER METERS SHALL NOT BE LOCATED IN CONCRETE OR ASPHALT PAVING UNLESS APPROVED BY PUBLIC WORKS DEPARTMENT.

CITY OF KIRKLAND

PLAN NO. CK-W.17



**WATER METER BOX
PLACEMENT
DETAILS**