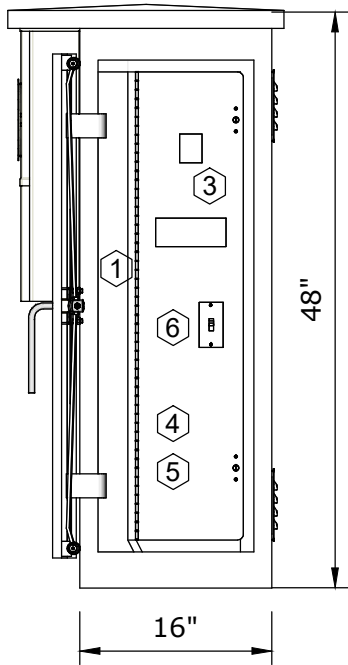
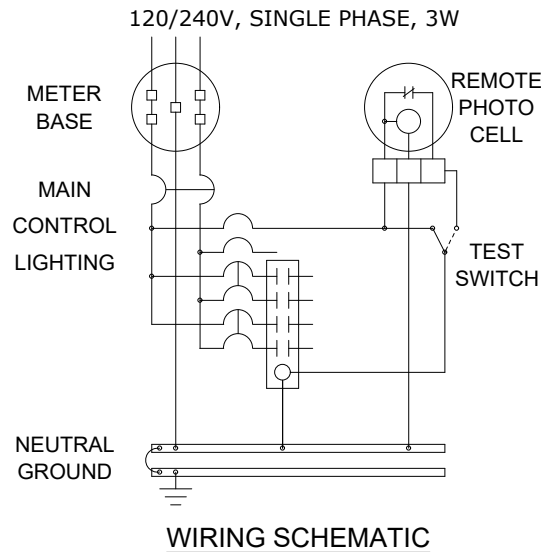
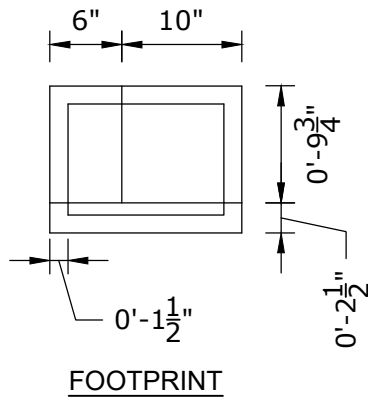
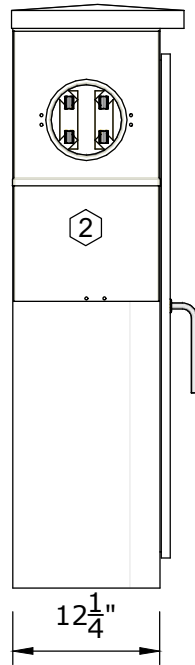


FRONT



SIDE



CITY OF KIRKLAND "TINY" CABINET
SKYLINE SERIES# 62460-T1

LAST REVISED: 01/2023

CABINET:

CONSTRUCTION:

NEMA TYPE 3R, OUTDOOR PADMOUNT, 1/8" 5052-H32 ALUMINUM CONSTRUCTION, 2 SCREENED AND GASKETED VENTS, REMOVABLE EQUIPMENT MOUNTING PAN, CABINET GROUND WITH MINIMUM BONDING WIRE TO NEUTRAL

DOORS:

HEAVY-DUTY CONCEALED HINGES (LIFT-OFF TYPE), STAINLESS STEEL VAULT HANDLE WITH ROLLER RODS THAT PROVIDE 3- POINT COMPRESSION ON CLOSED CELL NEOPRENE GASKET, "BEST" LOCK

DEADFRONT:

HINGED AND SECURED WITH QUARTER-TURN FASTENERS

FINISH:

MILL FINISH ALUMINUM
 DEADFRONT AND WIREWAY COVER -- WHITE

COMPONENT SCHEDULE:

- ① SERVICE WIREWAY
- ② METERBASE: 200A, 4 JAW, MANUAL BYPASS, B-LINE U264, W/ 5TH JAW
- ③ PANELBOARD: 120/240 VAC, 125 AMP COPPER BUS, 1 PHASE, 3 WIRE, 6 CKT, FULLY RATED AT 10K AIC, WITH ENGRAVED NAME PLATES
 MAIN BREAKER: 100 AMP, 2 POLE, EATON QC2100
 BRANCH BREAKERS, BOLT ON, EATON TYPE BAB:
 2 – 20/2 LIGHTING 1, 2
 1 – 20/1 RRFB
 1 – 15/1 CONTROL
- ④ CONTACTOR: LIGHTING RATED, 30A, 4 POLE, 120V COIL, SQD 8910DPA34V02U1
- ⑤ TERMINAL BLOCK FOR FIELD WIRE CONNECTION TO REMOTE PHOTO CELL
- ⑥ PHOTOCELL BYPASS SWITCH

CITY OF KIRKLAND

PLAN NO. CK-TS.10



TINY CABINET