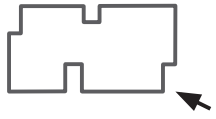
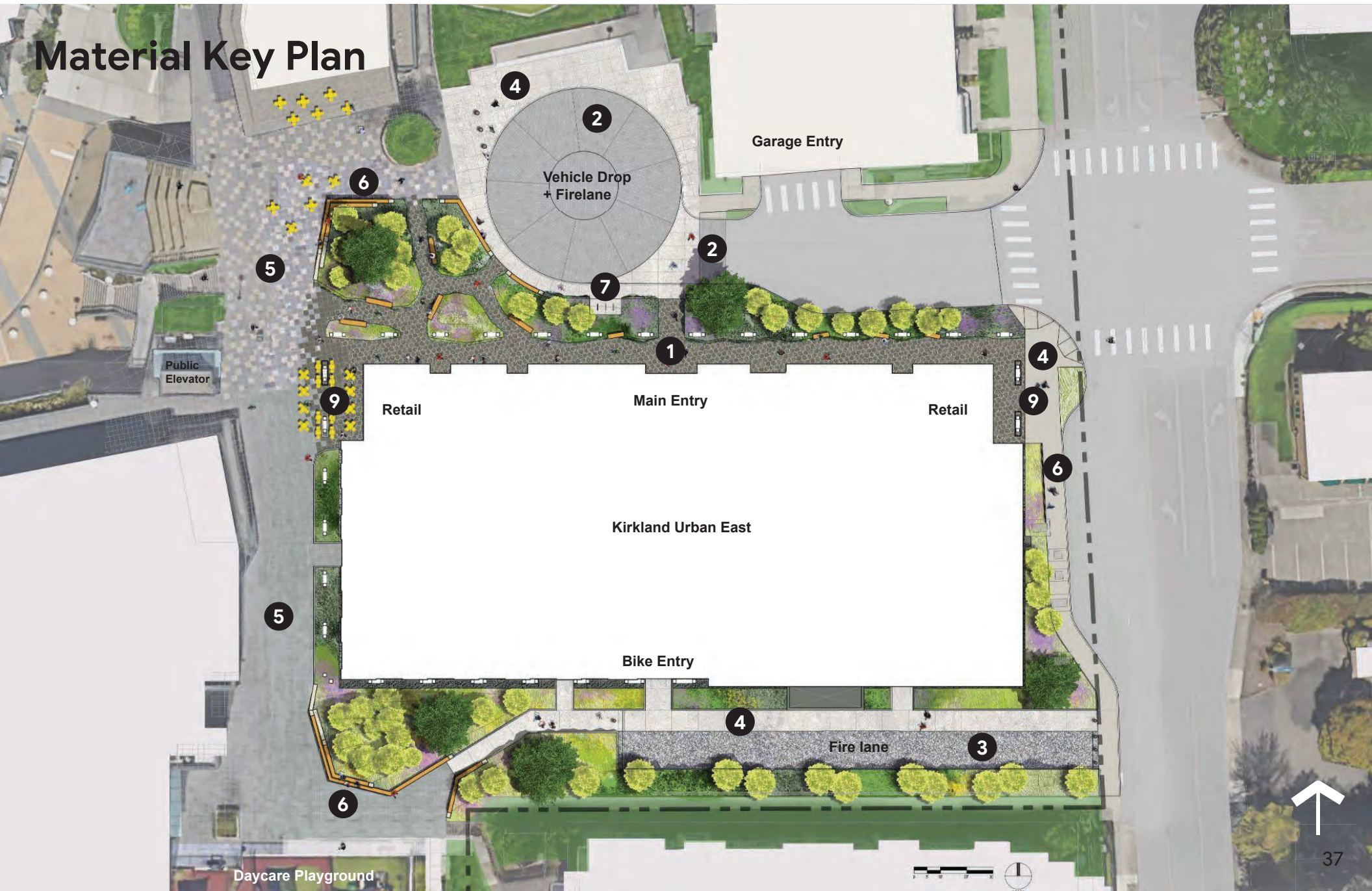


6th Street - View looking NW



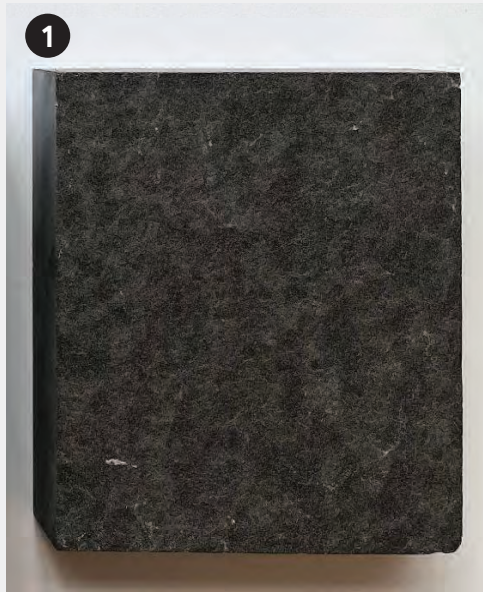
Landscape Material Palette

Material Key Plan



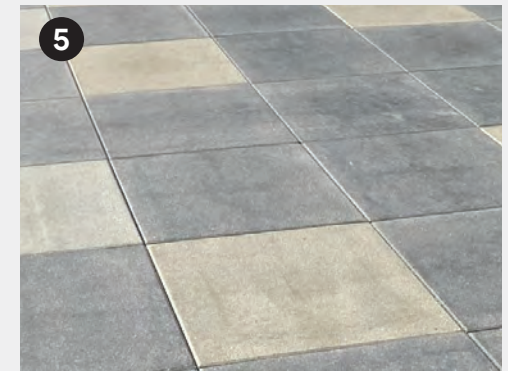
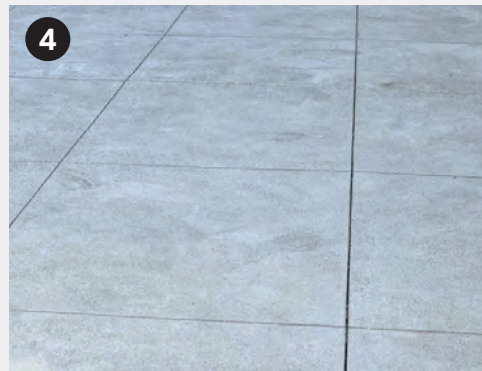
Materials

Landscape - Paving and Wall



Legend

- 1 Basalt stone paving at colonnade and garden plaza, thermal finish
- 2 Precast concrete pavers at plaza
- 3 Custom PIP concrete paving at fire lane
- 4 PIP concrete paving per city standard at turn circle and sidewalk
- 5 Existing precast concrete pavers 2' x 2'



Materials

Landscape - Site Furnishings

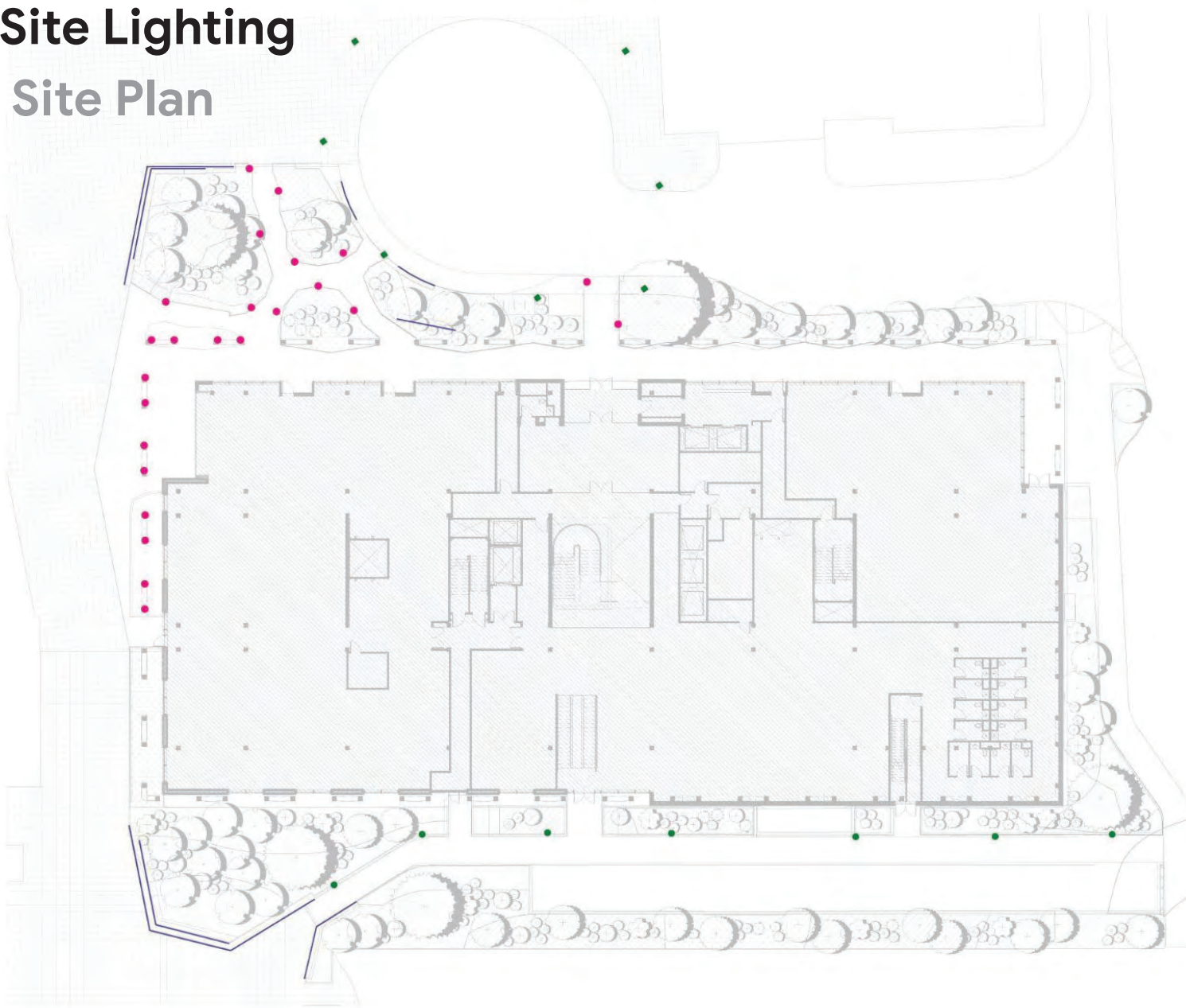


Legend

- 6 Modified wood bench and leanrail top
- 7 Metal bike rack, powder coated
- 8 Stainless steel lean rail and bench support
- 9 Bronze cane detection rail

Lighting Design

Site Lighting Site Plan



 **Bollard Light**



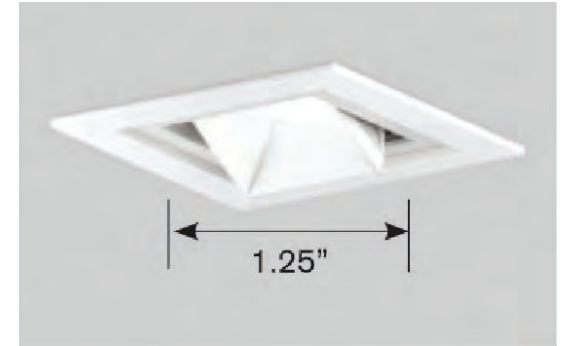
 **Surface Light**



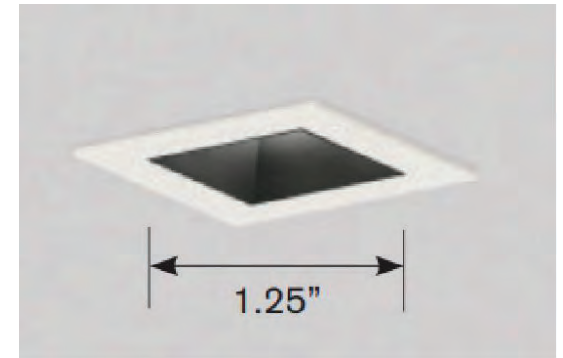
 **Existing Campus Pole Light**

Colonnade Lighting

Reflected Ceiling Plan

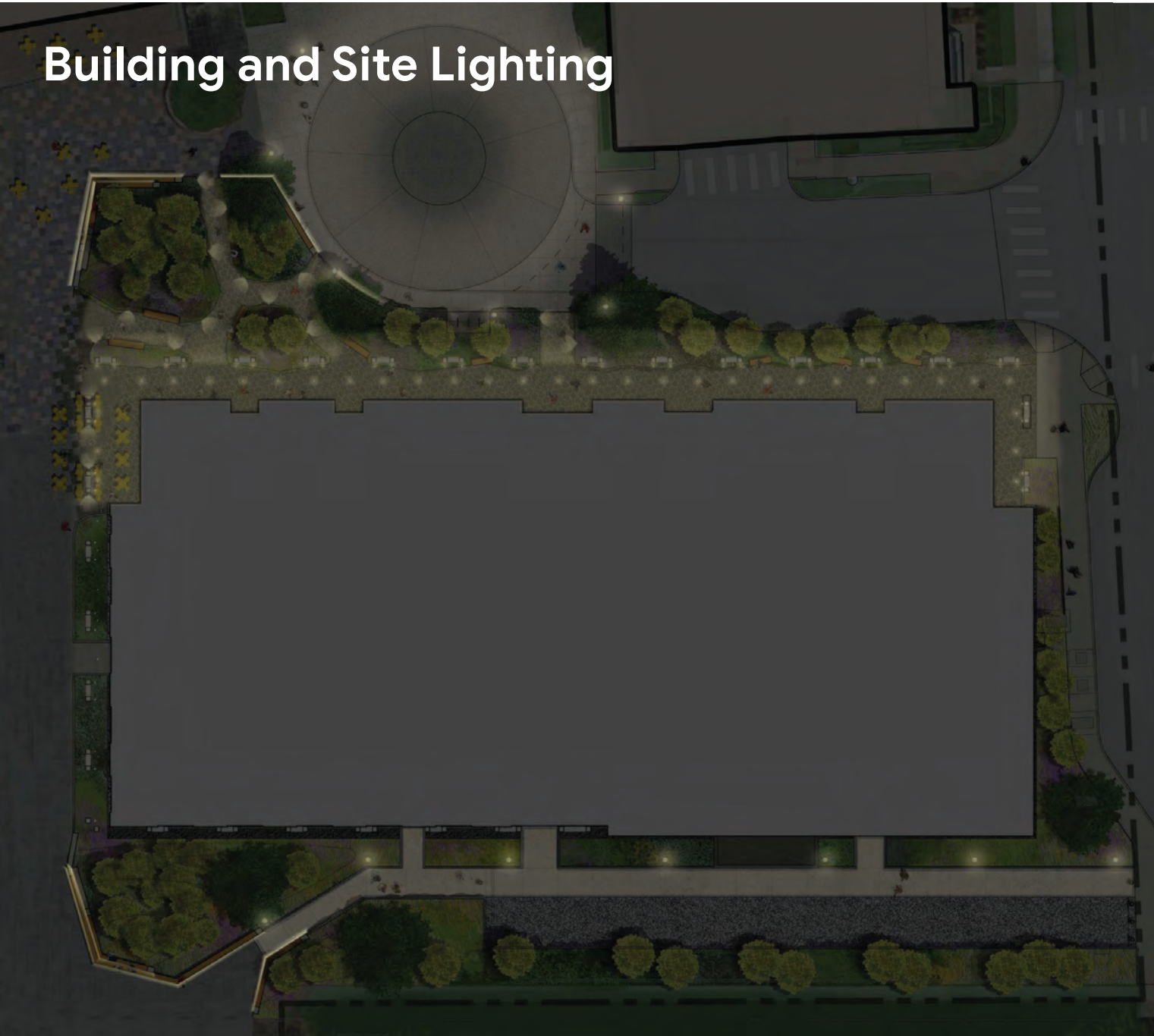


 Spotlight



 Downlight

Building and Site Lighting



HLB Lighting Study

Colonnade Lighting



Downlight Wash + Downlight

Architectural Concepts

Timber Diagrid Lateral System

Diagrid Advantages

Floor plate Flexibility:

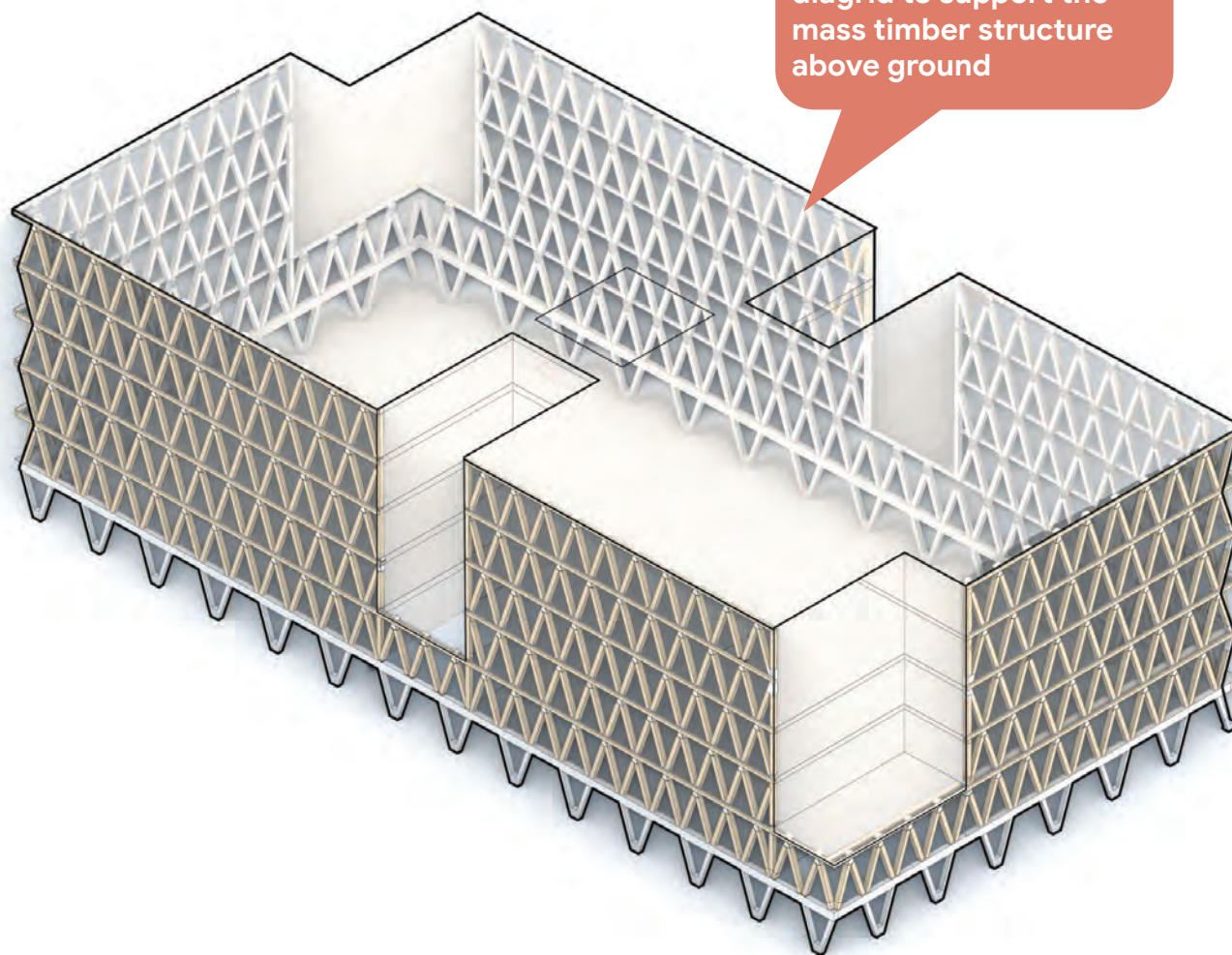
- Fewer Interior Columns
- More connections across floorplate

Experience:

- Beauty of perimeter timber structure

Sustainability:

- Mass Timber reduces upfront embodied carbon



Facade Expression
Inspiration

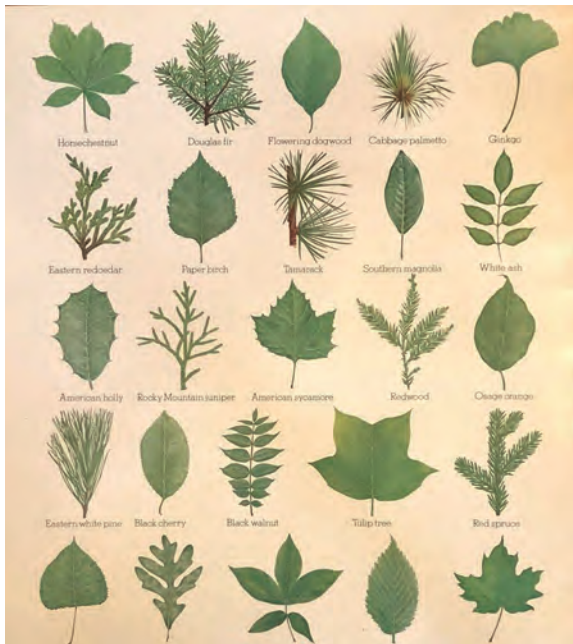


Diagrid Interior Experience



Facade Expression

Inspiration: Species of the PNW



Red Alder
Leaf



Terracotta
Profile



Douglas Fir



Terracotta
Profile



Context for color

Kirkland Urban Campus



Facade Materials
Glazed Terracotta Color

Red/Orange terracotta color range not recommended to differentiate between north apartment building.



North and Central Campus Buildings



Apartment Building, North Site

Architectural Design and Materials



Daycare Connection - View looking NE



6th Street - View looking NW

