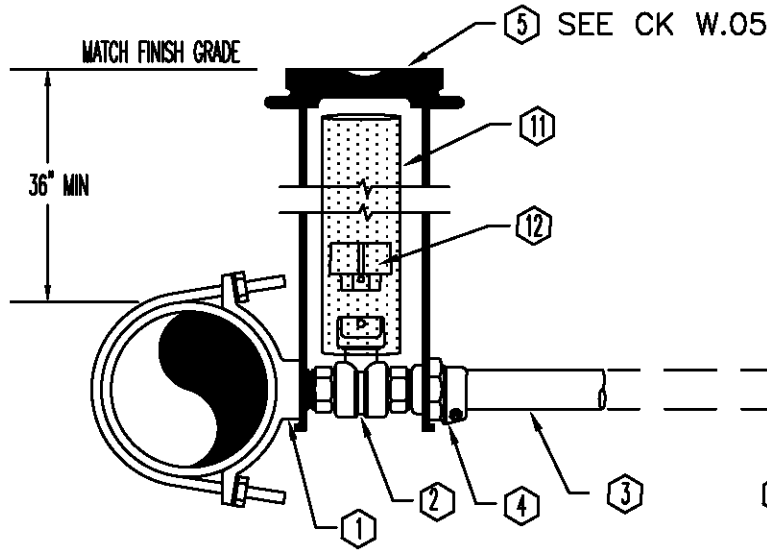
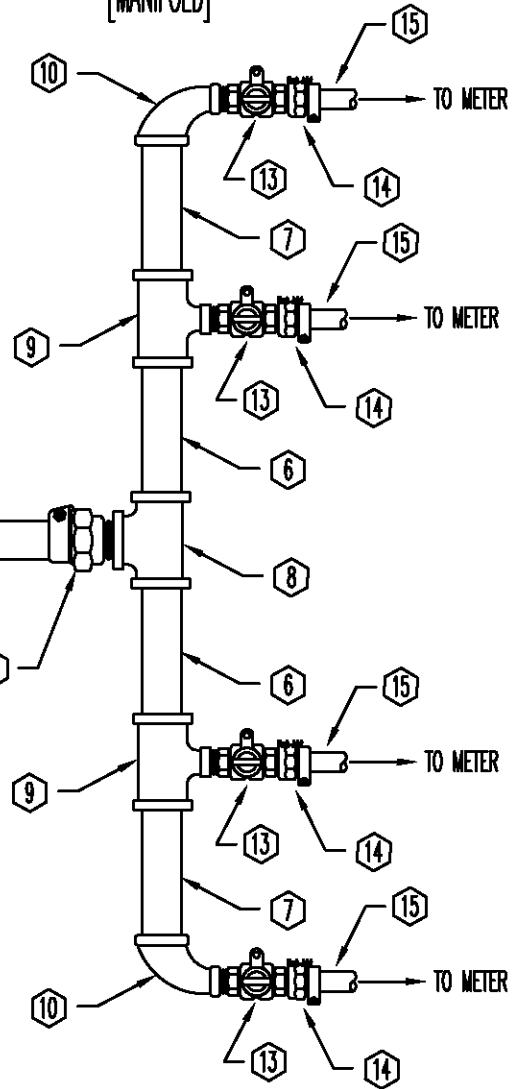


SIDE VIEW
[CONNECTION TO WATERMAIN]



PLAN VIEW
[MANIFOLD]



WATER SERVICE STANDARDS

DESCRIPTION	MAKER OR RATING	2"
1. Double Strap Saddle	Romac or Equal	202 IPT
2. 2" Ball Valve	Ford or equal	B11-777 w/Q167
3. Pipe - Soft Copper Tubing , Type K	ASTM B-88	C84-77
4. 2" Pack Joint		
5. Valve Box	Rich or Equal (940)	
6. Nipple Brass		2" x 12"
7. Nipple Brass		2" x 18"
8. Brass Tee		2"
9. Brass Tee		2" x 1"
10. Brass 90° Elbow		2" x 1"
11. 2" Sleeve	PVC	
12. 2" Operating Nut w/Cotter Pin		
13. 1" Ball Valve Curb Stop	Ford or Equal	
14. 1" Pack Joint		
15. 1" Poly Pipe		

NOTES

- SERVICES TO BE 1" POLY W/1" ANGLE STOPS
- SEE CK-W.12 FOR METER SET DETAILS
- RUN COPPER TRACING WIRE FROM VALVE BOX TO ALL METER BOXES.
- NOTCH VALVE BOX TO CRADLE VALVE ASSEMBLY, SET ON BRICKS

FOR 4 TO 6 SERVICES ONLY, UPON APPROVAL
BY PUBLIC WORKS.

CITY OF KIRKLAND

PLAN NO. CK-W.33



2" MANIFOLD FOR
4 TO 6 SERVICES