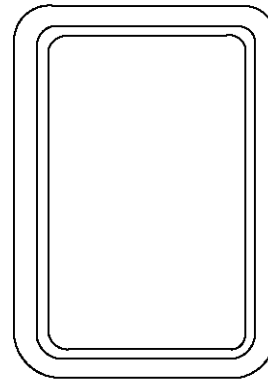
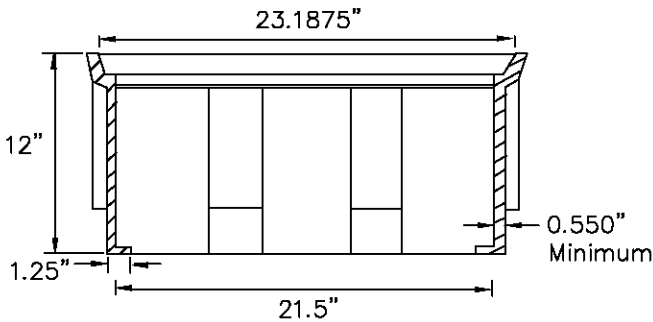


SHORT SIDE VIEW



TOP VIEW



LONG SIDE VIEW

NOTE:

MID-STATES PLASTICS, INC. PART NUMBER MSBCF 1324-12 (or equal).

The Meter Box shall be high-density polyethylene of one-piece molded construction for durability and impact strength, and with a ductile iron cover (with flip-up meter reading window) installed shall be able to bear a 20,000lb load in a wheel load; and shall have a wall thickness of no less than 0.550". The Meter Box shall be black on the exterior to prevent UV degradation, and bright white on the interior to reflect light and ease meter reading service.

CITY OF KIRKLAND

PLAN NO. CK- W.23



3/4" AND 1" WATER
METER TRAVEL BOX