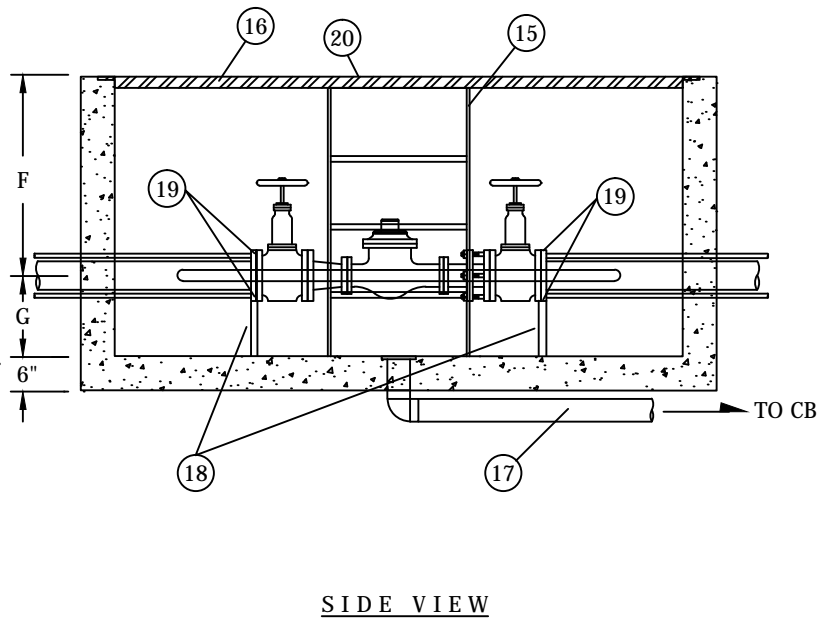
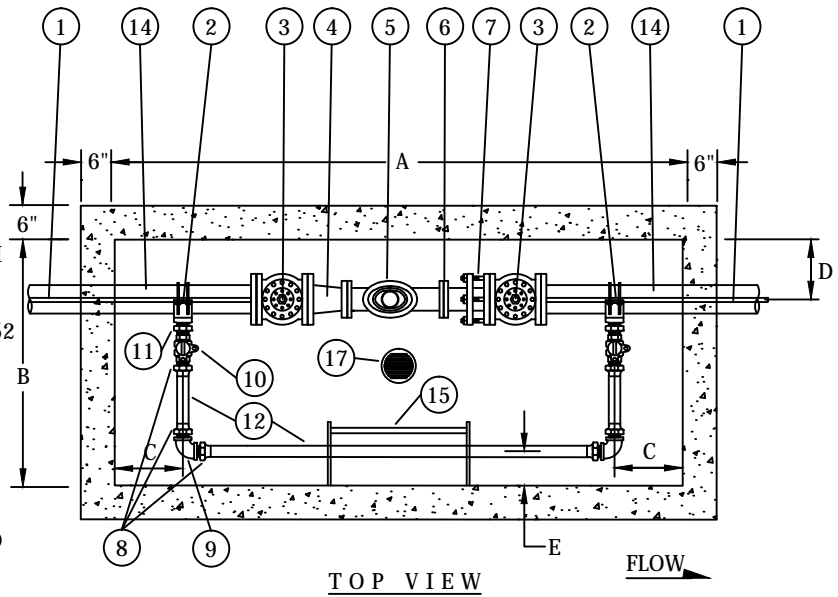


MATERIAL LIST, COPPER BY-PASS

LAST REVISED:01/2019

- ① 4-3/4" SHACKLE RODS (TOP & BOTTOM)
- ② 2-2" ROMAC SADDLE
- ③ 2-4" DI GATE VALVES, FL W/HW EQUAL TO M&H RESILIENT SEAT
- ④ 1-4"x3" REDUCER, FL (3" METER ONLY)
- ⑤ 1-3" WATER METER (OR 4" AS REQ'D), INSTALLED EQUAL TO SENSUS OMNI C2 WITH 17" LAY LENGTH
- ⑥ 1-DI ADAPTER FLxPE, LENGTH TO FIT CLASS 52 3" WITH 3" METER
4" WITH 4" METER
- ⑦ 1-DI COUPLE ADAPTER, FL, EQUAL TO ROMAC FCA 501 3"x4" WITH 3" METER
- ⑧ 6-2" MALE ADAPTERS, BRASS EQUAL TO FORD
- ⑨ 2-2", 90° ELBOWS, BRASS
- ⑩ 1-BALL VALVE W/ PADLOCK WING EQUAL TO FORD
- ⑪ 2-2"x4" NIPPLE, BRASS
- ⑫ 2" RIDGE COPPER PIPE, TYPE 3
- ⑬ PRE-CAST CONCRETE UTILITY VAULT EQUAL TO UTILITY VAULT CO. 675-LA
- ⑭ 4" DI PIPE, FL
- ⑮ LADDER W/ 1' RINGS
- ⑯ 2 LOCKING STEEL COVERS EQUAL TO U.V. CO. 57TL-2-332P (SLIP RESISTANT FINISH)
- ⑰ 4" PVC DRAIN SYSTEM TO STORM SYSTEM W/ CHECK VALVE
- ⑱ PIPE SUPPORTS EQUAL TO STANDON MODEL S89
- ⑲ EYE BOLTS
- ⑳ BILCO TYPE LU-1 LADDER UP SAFETY POST




NOTES:

- METER MUST READ IN HUNDREDS OF CUBIC FEET
- VAULT WILL BE PRECAST W/ BOTTOM
- ALL PIPES & FITTINGS 4" AND LARGER SHALL BE CEMENT LINED
- PIPING FROM MAIN TO VAULT SHALL BE 4" ON 3" METER INSTALLATIONS
- TAPPING TEE WITH VALVE AS PER STANDARD DETAIL W.06 REQUIRED ON EXISTING MAINS
- 4" PVC DRAIN SYSTEM REQUIRED
- PIPE SUPPORTS TO BE ANCHORED TO FLOOR & BOLTED TO VALVES
- OUTSIDE VAULT - SHACKLE BACK TO APPROPRIATE LOCATION BASED ON CONDITION

VAULT DIMENSIONS AND PIPE PLACEMENT							
ITEM	A	B	C	D	E	F	G
DIMENSION	7'	4'	6"	12"	6"	2'-8"	1'

CITY OF KIRKLAND

PLAN NO. CK-W.20



CITY OF KIRKLAND
WASHINGTON

**3" & 4" WATER
METER SERVICE
INSTALLATION**