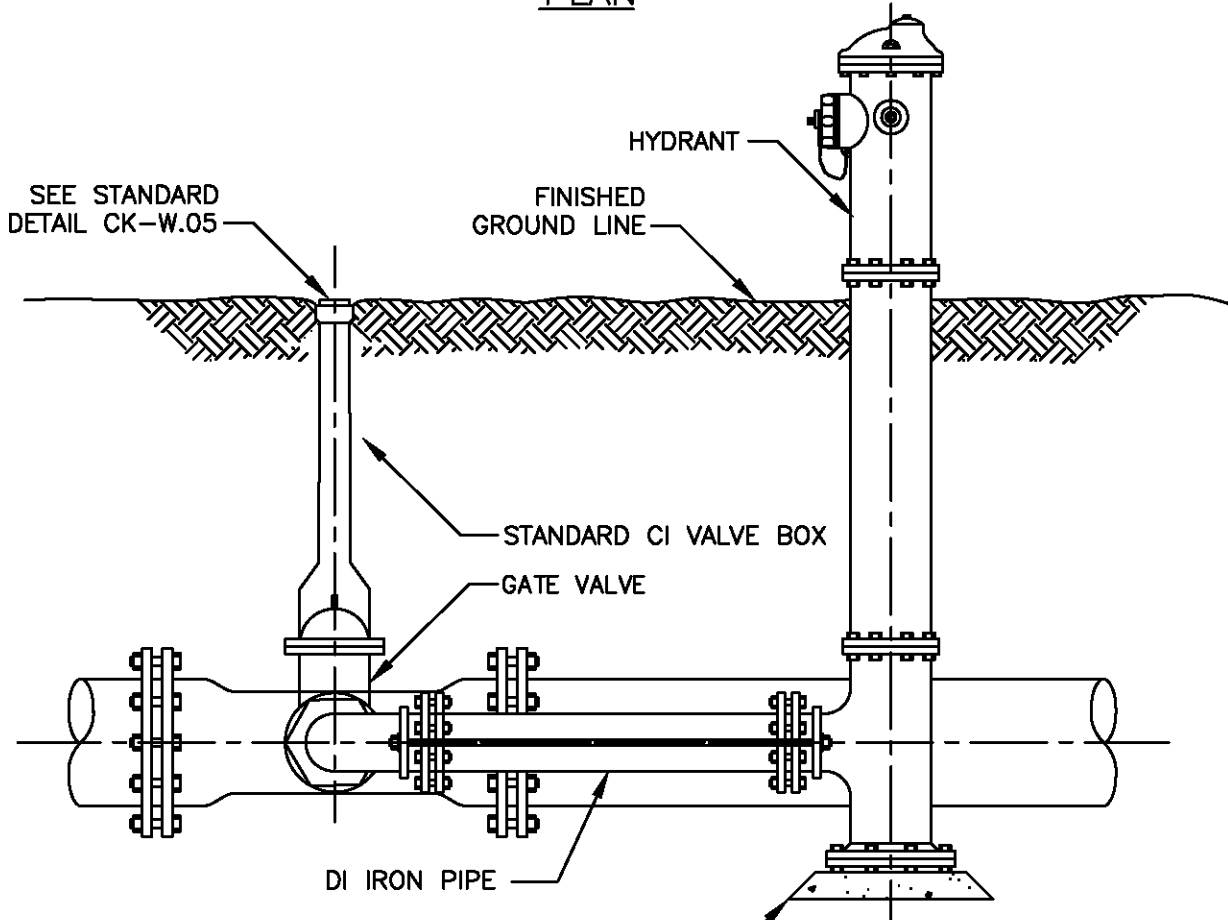



PLAN



CONCRETE CL 5 (1/2)
MIN SIZE 4" X 6" X 16" THICK

SIDE VIEW

CITY OF KIRKLAND	
PLAN NO. CK-W.15	
	OFFSET HYDRANT LOCATION