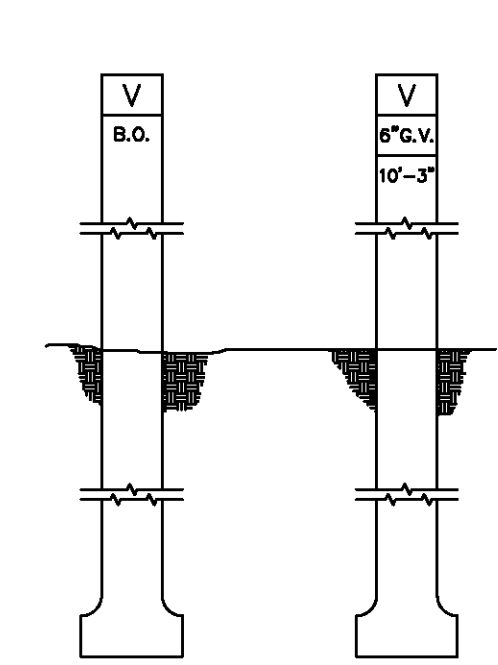


ELEVATION

PLAN

FIRE HYDRANT GUARD POST



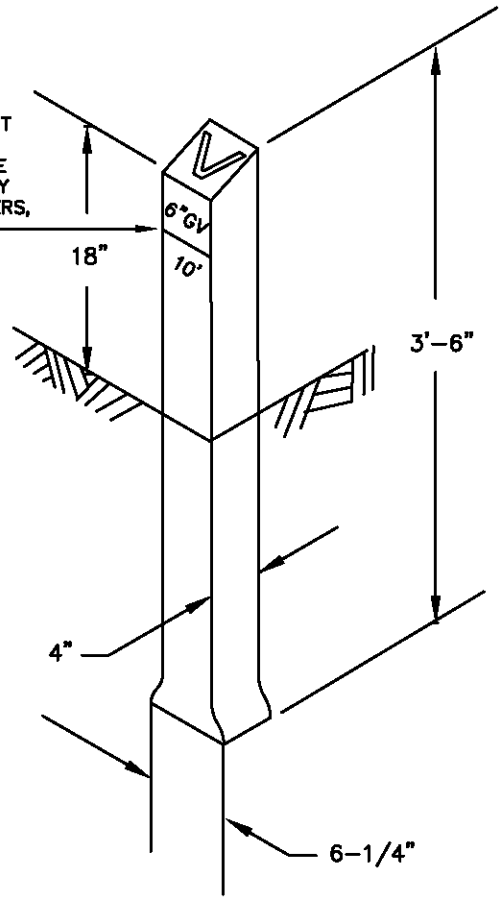
FRONT VIEW

(FOR BLOW-OFF ASSEMBLY)

FRONT VIEW

(FOR GATE VALVE)


VALVE MARKER POST SHALL BE EQUAL TO FOG-TITE METER CO. PAINT AS SPECIFIED FOR HYDRANT GUARD POST. PAINT DISTANCE FROM THE VALVE MARKER TO THE VALVE ON THE POST WITH NEATLY STENCILED BLACK ENAMEL NUMBERS, 1" IN HEIGHT.



VALVE MARKER POST

NOTES:

1. GUARD POSTS TO BE INSTALLED ONLY AS DIRECTED BY CITY OF KIRKLAND.
2. VALVE MARKERS TO BE USED FOR BLOW OFF AND MAINLINE VALVES OUTSIDE PAVED AREAS.

CITY OF KIRKLAND	
PLAN NO. CK-W.13	
	HYDRANT PROTECTION AND VALVE MARKER POST