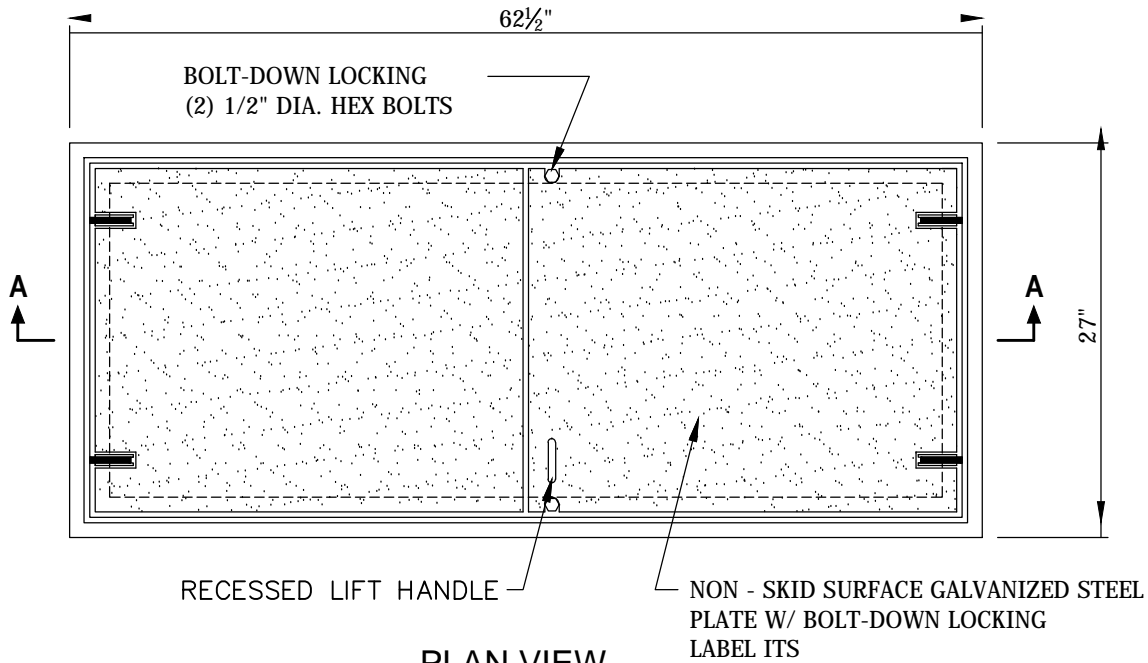
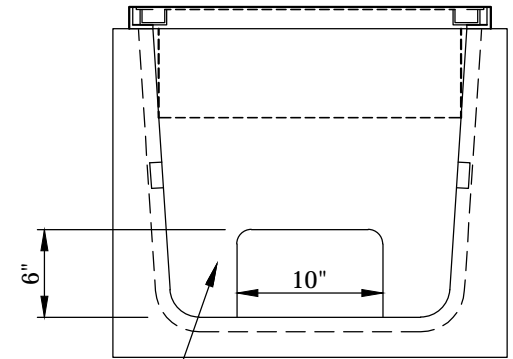


LAST REVISED: 1/1/18

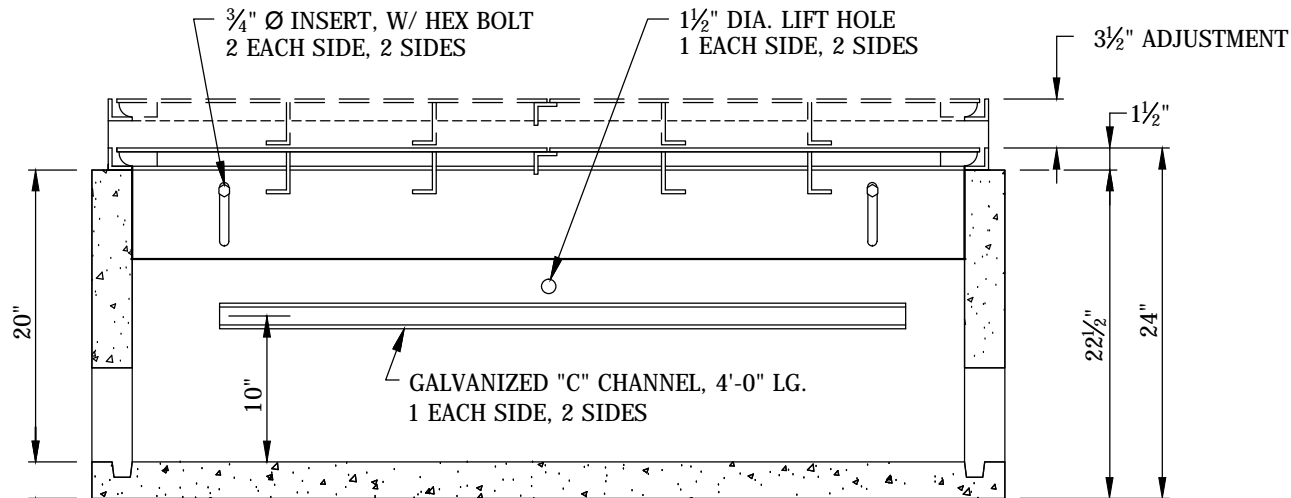


PLAN VIEW



END VIEW

REMOVABLE END PANEL
TYPICAL EACH END



SECTION A-A

CITY OF KIRKLAND

PLAN NO. CK- TS.06



FIBER
OPTIC
VAULT