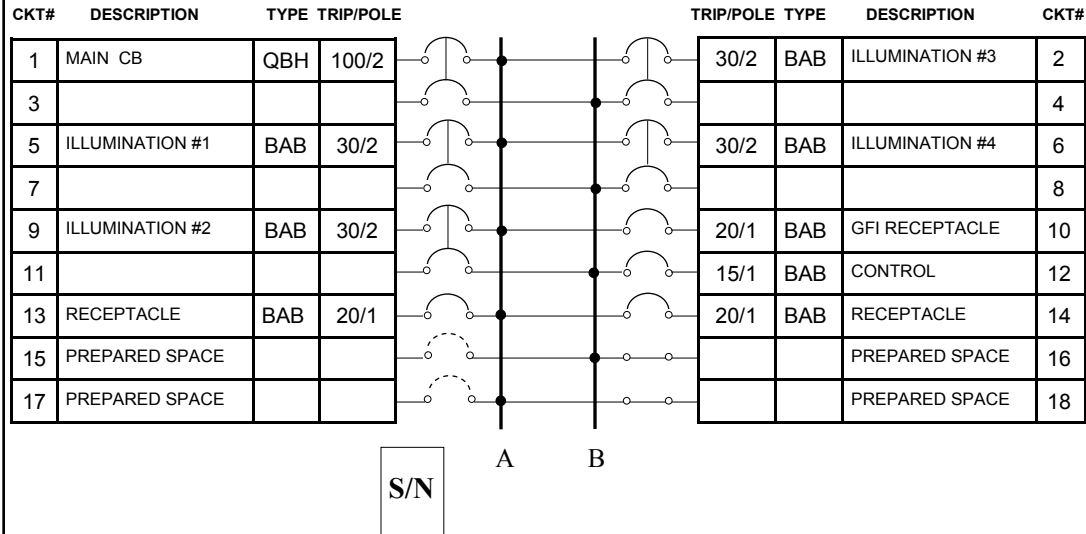


**PANELBOARD SCHEDULE "S" 120/240V 1P 3W 22K AIC SERIES RATED**

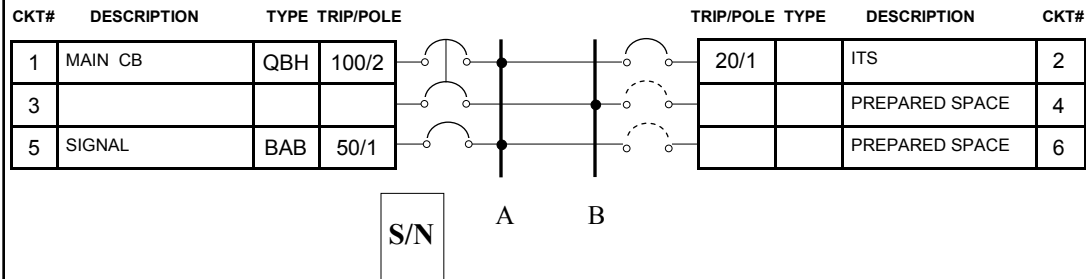


**CITY OF KIRKLAND  
PANELBOARDS "S" & "T"  
PANELBOARD SCHEDULES**

**ELECTRICAL DATA:**

**PANELBOARD:** 120/240VAC 1 PHASE 3 WIRE, 22K AIC SERIES RATED, SPLIT BUS, 250 AMP SILVER PLATED COPPER BUS, COPPER NEUTRAL AND GROUND BUS,  
**MAIN CBS:** CUTLER HAMMER QBHW2100H  
**BRANCH CBS:** WESTINGHOUSE BAB BOLT-ON CBS  
**PER UL67 FILE NO. E21192**

**PANELBOARD SCHEDULE "T" 120/240V 1P 3W 22K AIC SERIES RATED**



**CITY OF KIRKLAND**

PLAN NO. CK-TS.05B



**PANELBOARDS "S" & "T" CIRCUIT BREAKER SCHEDULES**