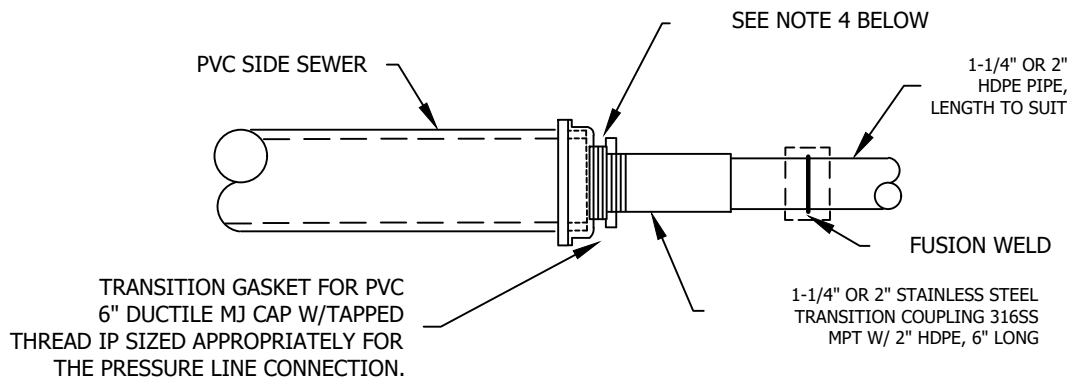



GRAVITY DROP SECTION
NOT TO SCALE



PRESSURE LINE CONNECTION
NOT TO SCALE

NOTES:

1. ALL PVC FITTINGS SHALL BE GASKETED.
2. NO COLLECTION VALVE BOX REQUIRED.
3. CAP MAY BE BURIED 18" BELOW GRADE WITH PVC CAP, IF NOT PLACED UNDER HARD SURFACES.
4. FOR 1-1/4" SERVICE USE 2"x1-1/4" BRASS BUSHING FOR 2" TAP.
5. FOR 2" SERVICE, OMIT BUSHING.

CITY OF KIRKLAND	
PLAN NO. CK- S.28A	
	SHALLOW FORCE MAIN CONNECTION