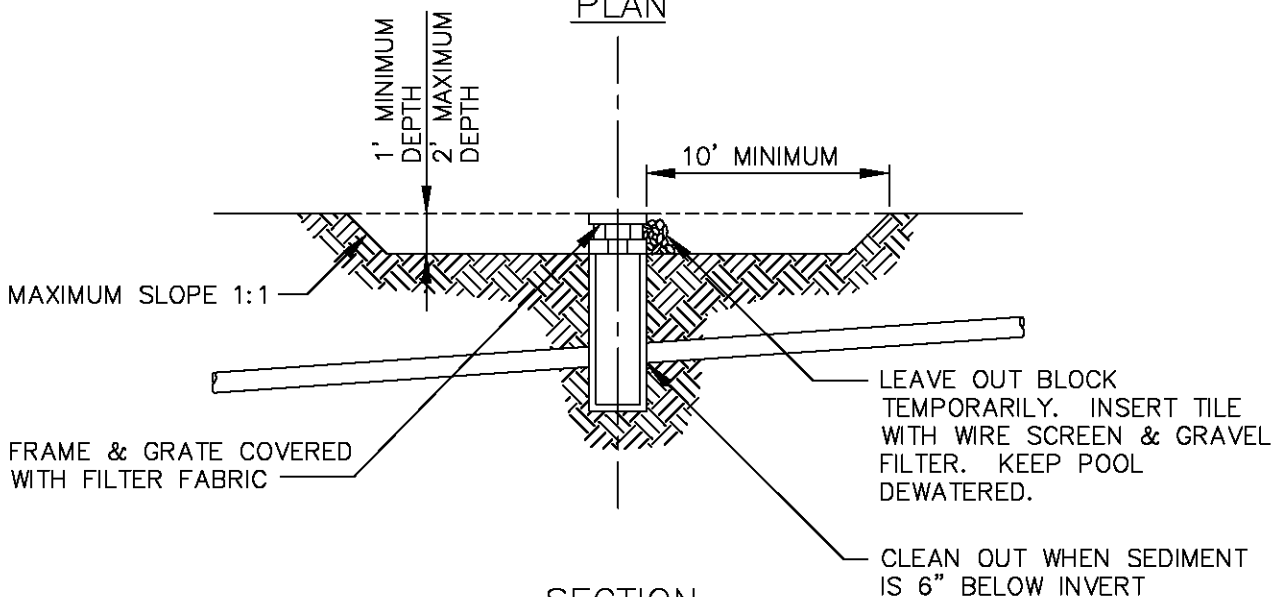



PLAN



SECTION

NOTES

1. PROTECT INLETS DURING CONSTRUCTION. KEEP SEDIMENT OUT OF THE STORM DRAINAGE SYSTEM. USE HALF-CIRCLE BEHIND CURB INLETS DURING STREET CONSTRUCTION. MODIFY PROTECTION AS CONSTRUCTION PROGRESSES.
2. CIRCULAR SHAPE IS NOT ESSENTIAL; VARY SHAPE TO FIT DRAINAGE AREA AND TERRAIN. OBSERVE TO CHECK TRAP EFFICENCY AND MODIFY AS NECESSARY TO INSURE SATISFACTORY TRAPPING OF SEDIMENT. CAN BE ADAPTED TO THRU-CURB INLET.
3. ALLOW 2' MINIMUM OVERHANG OR FILTER FABRIC. FILTER FABRIC OVERHANG MUST BE COVERED WITH 1-1/4" CRUSHED ROCK.
4. FILTER FENCE MAY BE REQUIRED AROUND PERIMETER OF BASIN.

CITY OF KIRKLAND	
PLAN NO. CK-E.08	
	CATCH BASIN/INLET SEDIMENTATION TRAP