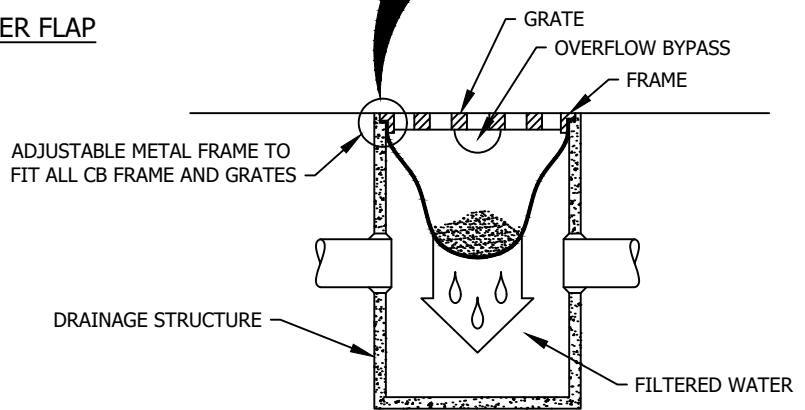
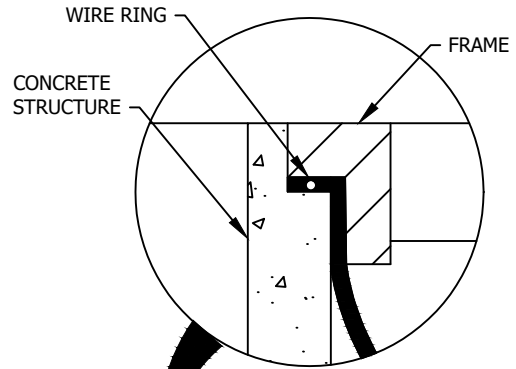
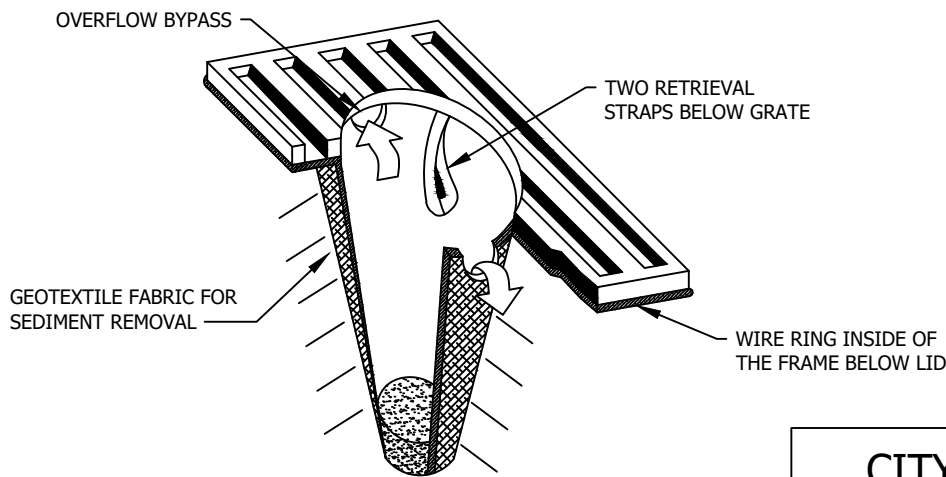


PROTECTION INSERT WITH OUTER FLAP
(NOT ALLOWED)



STORM DRAIN PROTECTION
INSERT SECTION A-A



STORM DRAIN PROTECTION INSERT
ISOMETRIC VIEW (TYP.)

CITY OF KIRKLAND

PLAN NO. CK- E.11



STORM DRAIN
PROTECTION INSERT