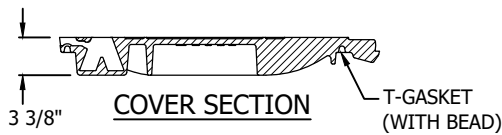
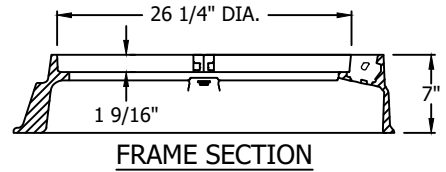
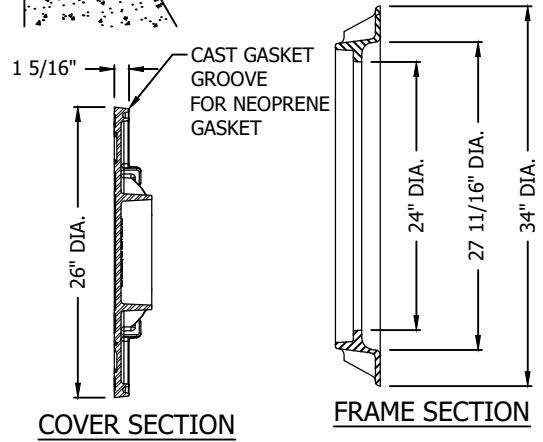
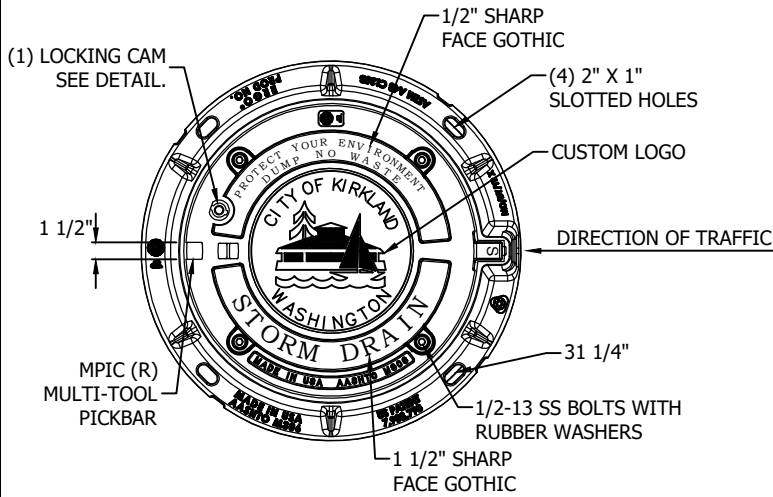
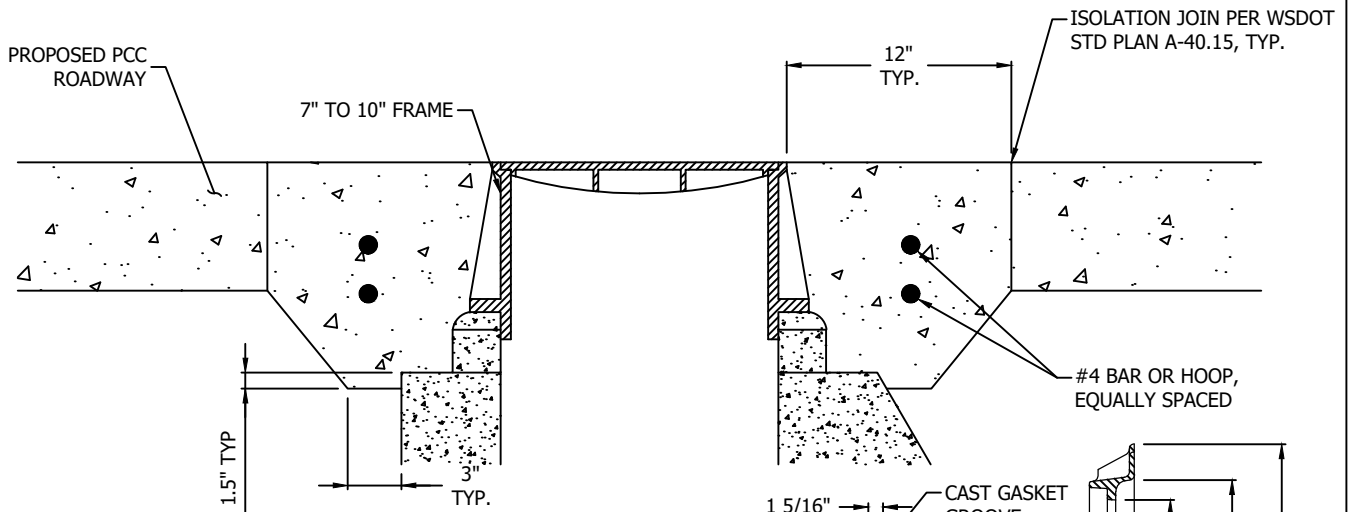
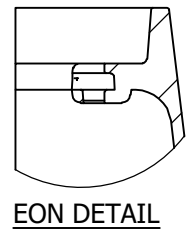
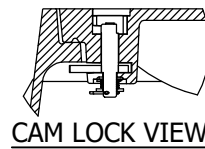
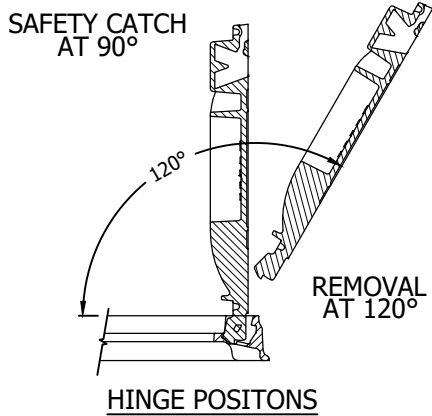
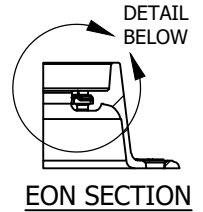


LAST REVISED: 01/2023



T-GASKET (WITH BEAD) (INSTALLED DURING ASSEMBLY)



NOTES:

- REFER TO CK-D.18A NOTES FOR ADDITIONAL REQUIREMENTS.

CITY OF KIRKLAND

PLAN NO. CK - D.18B



DEEP
MANHOLE FRAME
CASTING