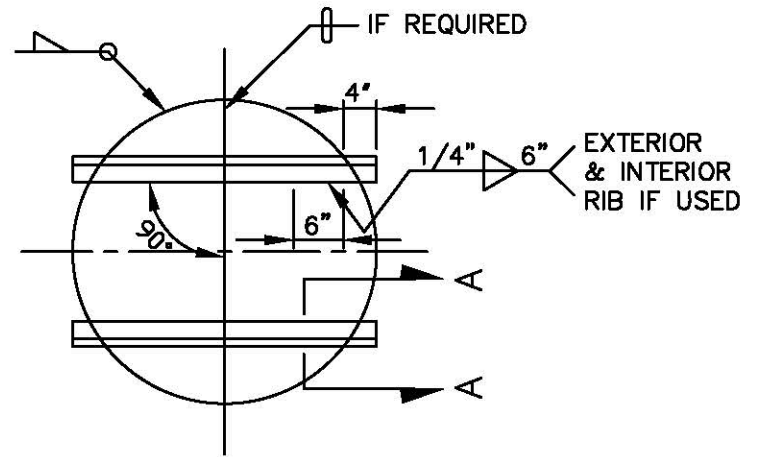
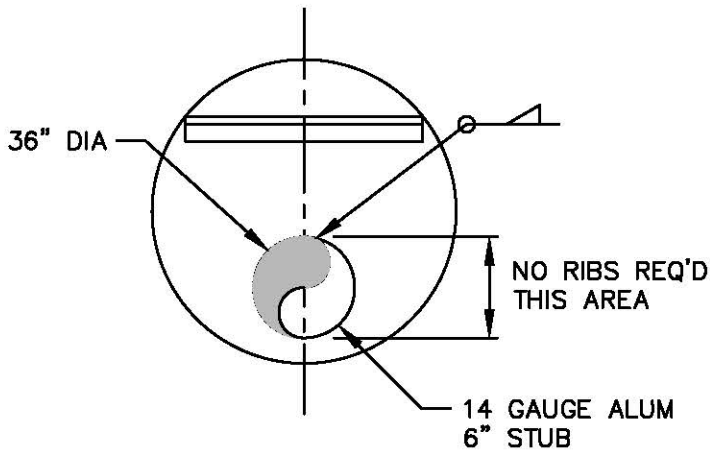


RIB DETAIL A

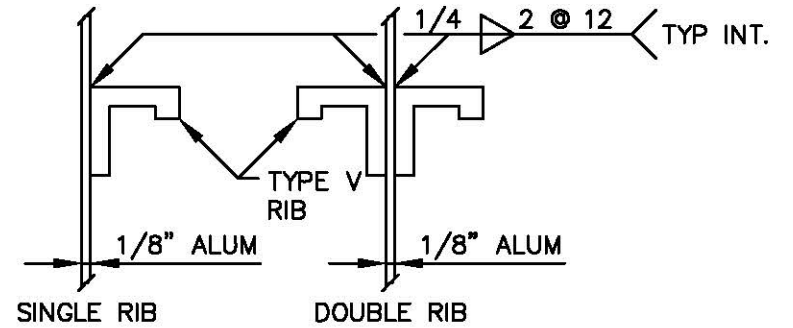
1/4 1-1/2 @ 9 (EA  
1/4 CREST CORRUGATION)



RIB DETAIL B



RIB DETAIL C



SECTION A-A

NOTES

1. USE RIB DETAIL B WHEN SIDE BRACKETS ARE REQUIRED.
2. RIBS ARE NOT REQUIRED TO BE USED AROUND TANK NOZZLES AS SHOWN IN DETAIL C.



DETENTION  
STRUCTURE END  
PLATE DETAIL

PLAN NO. CK-D.33

CITY OF KIRKLAND