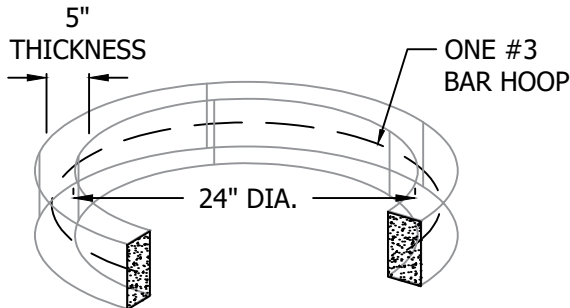


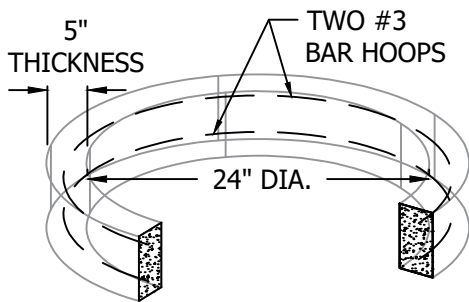
FRAME AND GRATE
(SEE STANDARD DETAILS
D.18 AND D.18A)

NOTES:

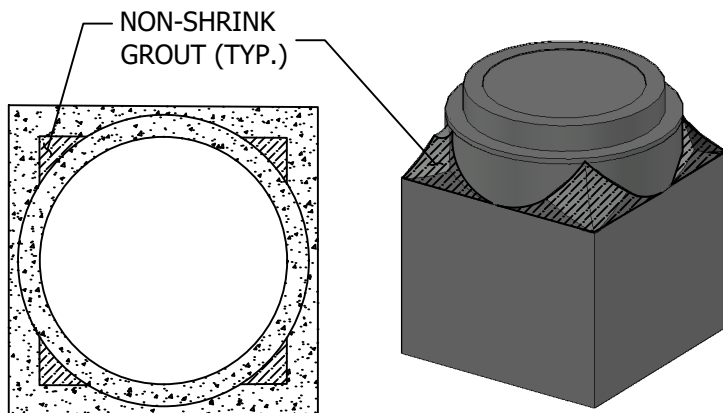
1. GROUT SHALL BE APPLIED BETWEEN ALL MATING SURFACES TO ENSURE A WATER TIGHT SEAL AND STRONG BOND.
2. COMMERCIALY AVAILABLE CONVERTER FROM RECTANGULAR STRUCTURE TO CIRCULAR RISER MAY BE USED IF APPROVED BY PUBLIC WORKS DEPARTMENT.
3. 1", 2", AND 4" RISERS ACCEPTED AS NEEDED.



6" RISER SECTION



12" RISER SECTION



TRANSITION DETAIL
2-D PLAN VIEW

TRANSITION DETAIL
3-D CONCEPTUAL
VIEW

CITY OF KIRKLAND

PLAN NO. CK - D.07A



CIRCULAR RISER
AND TRANSITION FOR
TYPE 1 AND 1-L CB