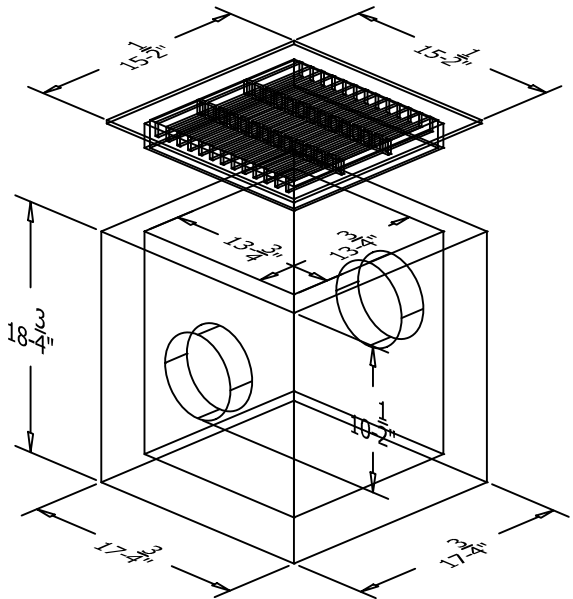



ROUND TYPE



SQUARE TYPE

NOTES

1. FOR USE IN NON-TRAFFIC AREAS ONLY, SUCH AS ENCLOSED YARDS IN PRIVATE RESIDENCES AND ENCLOSED PLAY AREAS IN SCHOOL GROUNDS.
2. FOR USE WITH 6" PIPES AND SMALLER, AND DEPTH LESS THAN 18".
3. LAST STRUCTURE BEFORE ROW HAS 18" MIN. SUMP DEPTH

CITY OF KIRKLAND	
PLAN NO. CK- D.05	
	YARD DRAIN