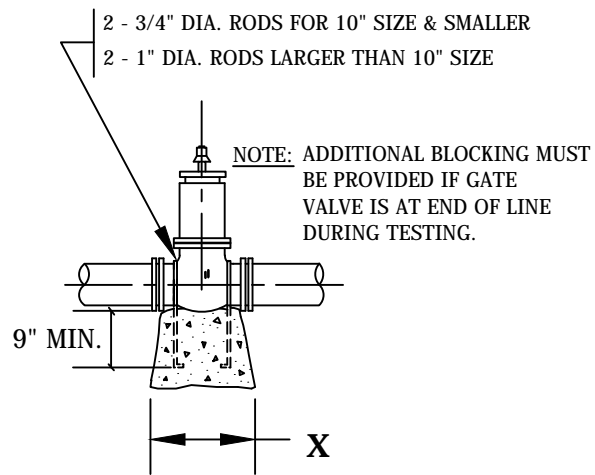
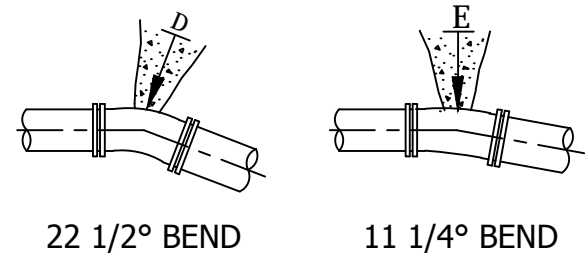
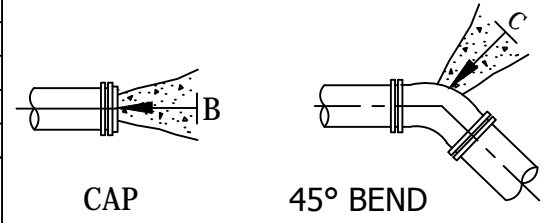
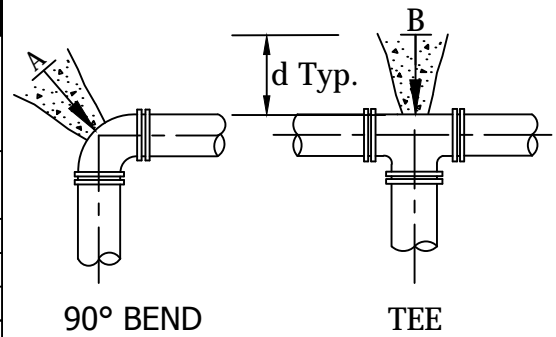


THRUST BLOCK TABLE

Minimum Bearing Area Against Undisturbed Soil (Ft²)
(block sizes based on 200 psi test pressure)

Pipe Size	A	B	C	D	E	x (in)	d (ft)
4"	3	2	2	1	1	None	1
6"	5	4	4	2	2	None	1.25
8"	9	6	5	3	2	4	1.5
10"	13	10	7	4	3	5	2
12"	19	13	11	6	4	6	2.25
14"	26	19	14	7	4	9	2.75
16"	27	25	19	10	6	12	2.75
18"	42	30	23	12	6	15	3.25
20"	52	37	28	15	9	19	3.75
24"	74	53	41	21	11	27	4.5

Notes:
 For different test pressure multiply bearing area by (actual test pressure ÷ 200)




GATE VALVE

- BLOCK SHALL BEAR AGAINST FITTINGS ONLY & SHALL BE CLEAR OF JOINTS TO PERMIT TAKING UP OR DISMANTLING JOINT.
- CONTRACTOR SHALL INSTALL BLOCKING ADEQUATE TO WITHSTAND FULL TEST PRESSURE AS WELL AS TO CONTINUOUSLY WITHSTAND OPERATING PRESSURE UNDER ALL CONDITIONS OF SERVICE.
- IN CLAY OR FINE SILT, MULTIPLY BLOCK BEARING AREA BY 2.
- IN MUCK OR PEAT, ALL THRUSTS SHALL BE RESTRAINED BY PILES OR TIE RODS TO SOLID FOUNDATIONS OR BY REMOVAL OF MUCK OR PEAT AND REPLACEMENT WITH BALLAST OF SUFFICIENT STABILITY TO RESIST THRUST.

- NOTES:**
- SQUARE FEET OF CONCRETE THRUSTS - BLOCK AREA BASED ON SAFE BEARING LOAD OF 2000 POUNDS PER SQUARE FOOT.
 - AREAS MUST BE ADJUSTED FOR OTHER SIZE PIPE, PRESSURES & SOIL CONDITIONS.
 - CONCRETE BLOCKING SHALL BE CAST IN PLACE & HAVE MINIMUM OF 1/4 SQUARE FOOT BEARING AGAINST THE FITTING.

CITY OF KIRKLAND

PLAN NO. CK-W.02



CITY OF KIRKLAND
WASHINGTON

**CONCRETE THRUST
BLOCKING**