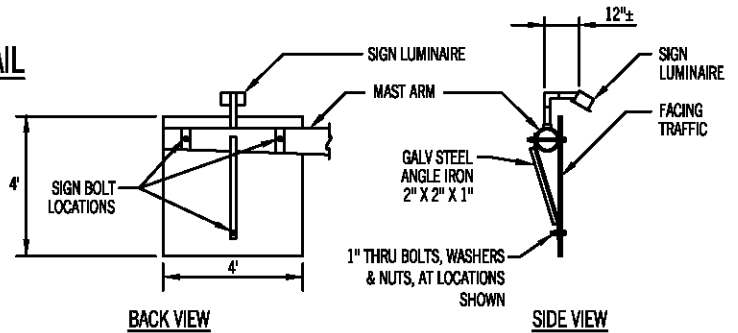
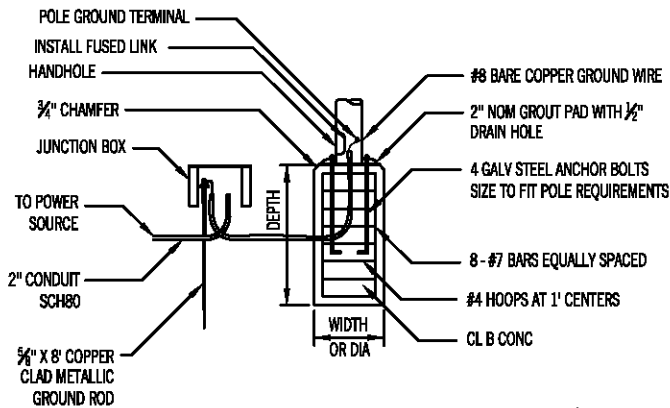


ILLUMINATED PEDESTRIAN POLE DETAIL

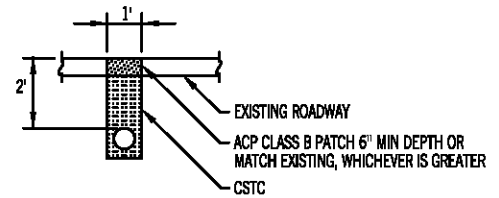
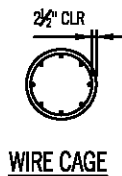


ILLUMINATED SIGN DETAIL




FOUNDATION DEPTH (X)(M)(Z) (CF1)	FOUNDATION DEPTH	
	3' RD	3' SQ 4' RD
740	10'	7'
1100	14'	8'
1720	19'	13'

POLE FOUNDATION DETAIL



CONDUIT TRENCH DETAIL

NOT TO SCALE

CITY OF KIRKLAND	
PLAN NO. CK-R-37	
	PEDESTRIAN POLE DETAIL