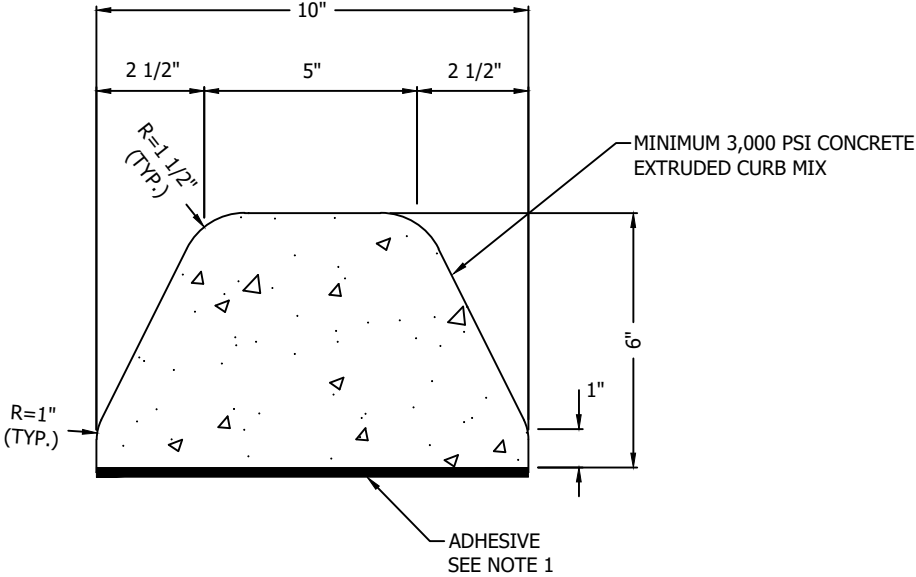


EXTRUDED ASPHALT CONCRETE CURB



EXTRUDED CEMENT CONCRETE CURB

NOTES:

- 1. THE ADHESIVE SHALL MEET THE REQUIREMENTS OF WSDOT SSRBC SECTION 9-26.1 FOR TYPE-II EPOXY BONDING AGENT.
- 2. APPLY SUFFICIENT AMOUNT OF ADHESIVE TO ENSURE SQUEEZE OUT ALONG ALL EDGES.

CITY OF KIRKLAND	
PLAN NO. CK - R.19	
<p>CITY OF KIRKLAND WASHINGTON</p>	EXTRUDED CURB