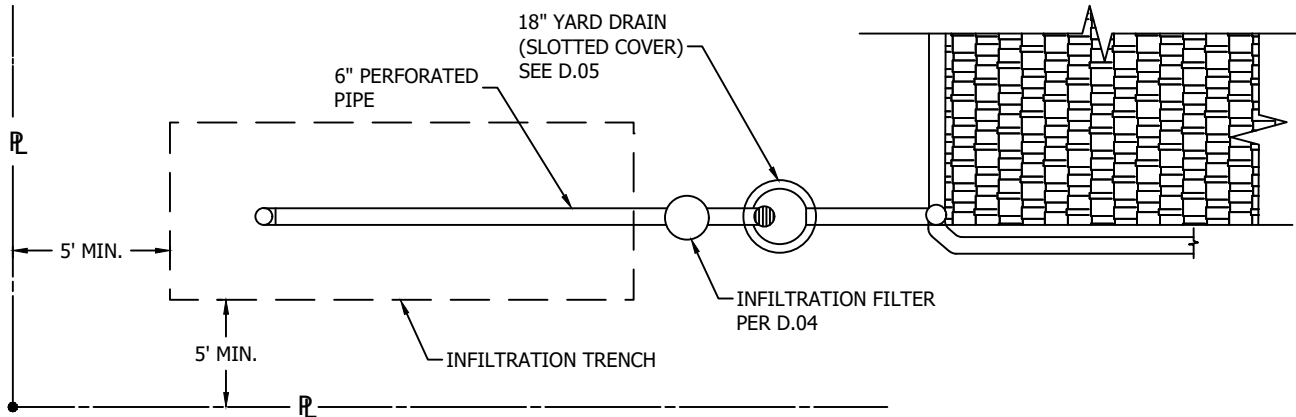
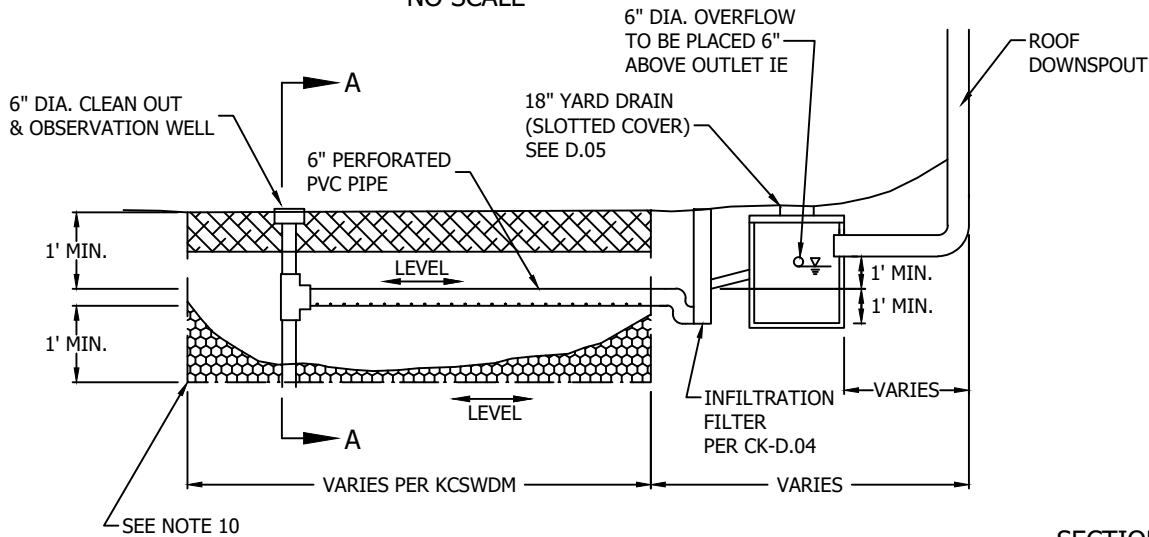


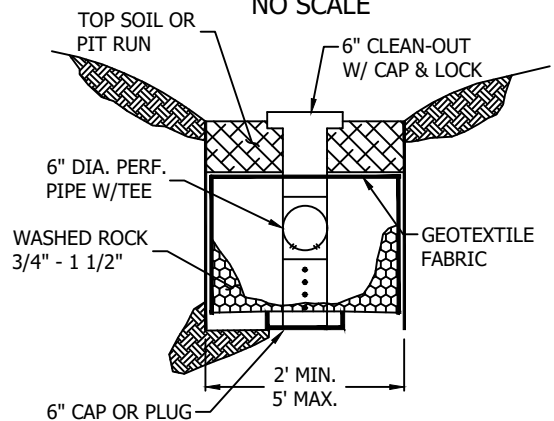
**PLAN VIEW  
NO SCALE**



**PROFILE VIEW  
NO SCALE**



**SECTION A-A  
NO SCALE**



**NOTES:**

1. SPECIAL INSPECTION WILL BE REQUIRED FOR PROJECTS THAT USE AN INFILTRATION TRENCH TO MEET AN EXEMPTION, REDUCE THE SIZE OF A DETENTION FACILITY, OR AS A FLOW CONTROL FACILITY. SEE POLICY D-8 FOR REQUIREMENTS.
2. FOR SMALL SITE PROJECTS, SEE POLICY D-8 FOR SOIL INFORMATION REQUIREMENTS AND APP. C, 2021 KING COUNTY SURFACE WATER DESIGN MANUAL (KCSWDM) FOR SIZING AND DESIGN CRITERIA. FOR PROJECTS OTHER THAN SMALL SITE, USE DESIGN CRITERIA IN SECTION 5.2 IN THE 2021 KCSWDM.
3. MINIMUM SPACING BETWEEN TRENCH EDGES SHALL BE 4 FEET.
4. MAXIMUM TRENCH LENGTH MUST NOT EXCEED 100 FEET FROM THE INLET SUMP.
5. A MIN. 5-FT SETBACK SHALL BE MAINTAINED FROM ANY PROPERTY LINE OR NGPE.
6. A 50-FT SETBACK IS REQUIRED FROM STEEP SLOPE HAZARD AREAS OR LANDSLIDE HAZARD AREAS.
7. SHALL BE LOCATED 30-FT DOWN SLOPE FROM ANY SEPTIC TANK/DRAIN FIELD ONSITE OR ON ADJACENT PROPERTIES, AND A MINIMUM OF 100-FT UPSLOPE FROM ANY SEPTIC TANK/DRAIN FIELD ONSITE OR ON ADJACENT PROPERTIES. ALL SEPTIC TANK/DRAIN FIELD SYSTEMS SHALL BE IDENTIFIED AND SHOWN ON PLAN SET PRIOR TO INFILTRATION SYSTEM APPROVAL.
8. SHALL ONLY BE PLACED UNDER 6" THICK DRIVEWAYS, CLEANOUT MUST MEET CK-S.09, AND 2' MINIMUM COVER.
9. THE INFILTRATION AREA AND A 5-FT BUFFER MUST BE FENCED PRIOR TO CONSTRUCTION AND UNTIL FINAL STABILIZATION OF THE SITE TO PREVENT SOIL COMPACTION BY CONSTRUCTION ACTIVITIES. FOR EXPOSED INFILTRATION TRENCHES, SILT FENCE SHALL BE INSTALLED AROUND THE CONSTRUCTED PERIMETER TO PREVENT SEDIMENTATION OF THE FACILITY.
10. THE DISTANCE MEASURED DOWN FROM THE BOTTOM OF THE TRENCH TO THE MAXIMUM WET SEASON WATER TABLE OR HARDPAN MUST BE AT LEAST 3 FEET.
11. IF SPECIAL INSPECTION IS REQUIRED, SEE POLICY D-8.

**CITY OF KIRKLAND**

**PLAN NO. CK - D.22**



**INFILTRATION  
TRENCH**