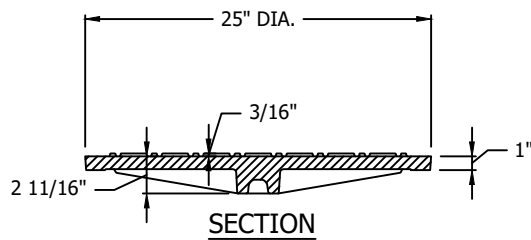
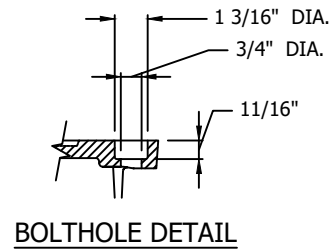


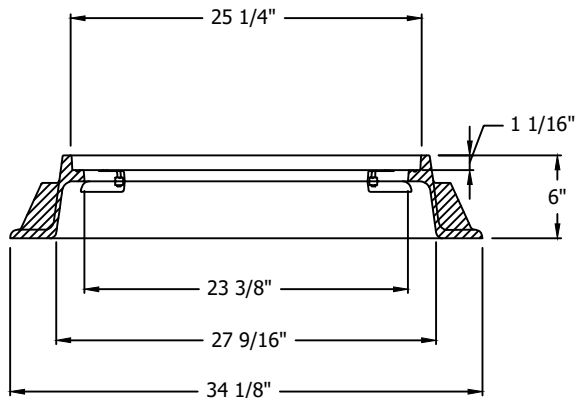
PLAN VIEW



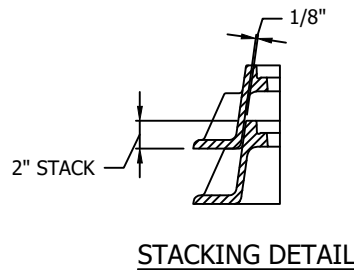
SECTION



BOLTHOLE DETAIL




SECTION



STACKING DETAIL

NOTES:

1. COVERS SHALL BE GRAY IRON, LOCKING, WITH A MINIMUM WEIGHT OF 141 LBS.
2. MINIMUM WEIGHT OF FRAME SHALL BE 134 LBS.
3. PRODUCT SUPPLIED BY EJ GROUP, INC., APPROVED EQUAL.
4. CITY OF KIRKLAND LOGO REQUIRED
5. THIS SPEC SHOULD NOT BE USED IN THE ROADWAY.
6. MUST BE MADE IN THE USA.

|  |   |
|--|---|
| <b>CITY OF KIRKLAND</b>  |   |
| <b>PLAN NO. CK - D.18</b>  |   |
|  | <b>24" MANHOLE FRAME<br/>W/LOCKING COVER<br/>AND LOGO</b> |