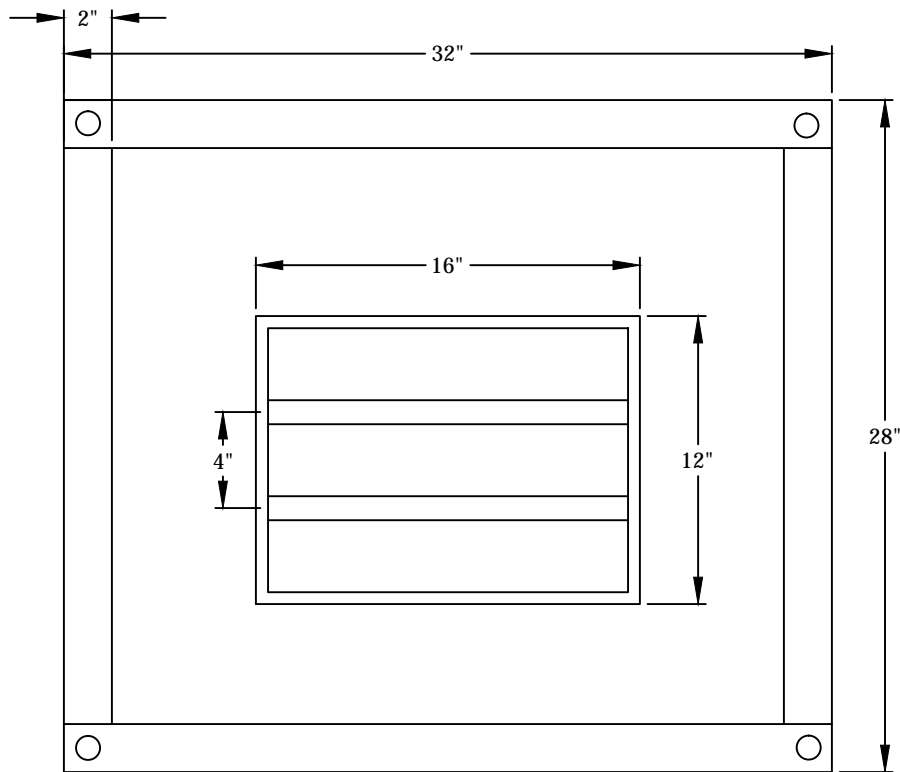


DETAIL
NTS



PLAN
NTS

NOTES

1. TO BE PLACED ON TOP OF VERTICAL OVERFLOW STRUCTURES, I.E., WITHIN BIORETENTION CELLS
2. 3/8" x 2 FLAT BAR
3. 3/4" ROUND BAR
4. 4-5/8" HOLE FOR MOUNTING
5. ALL MATERIAL 6061 ALUMINUM
6. MUST BE ANCHORED TO CONCRETE IN REMOVABLE FASHION WITH CORROSION-RESISTANT HARDWARE
7. PRODUCT: ATWOOD FABRICATION OR EQUAL

CITY OF KIRKLAND

PLAN NO. CK- D.44



**TYPE 1 CB
DEBRIS (BIRD) CAGE**