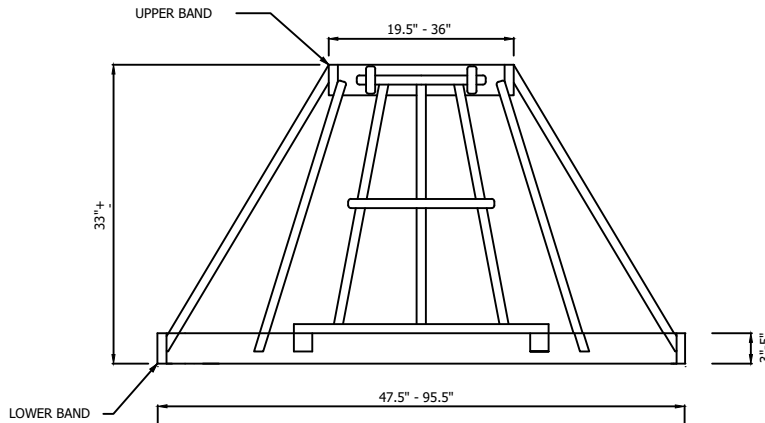
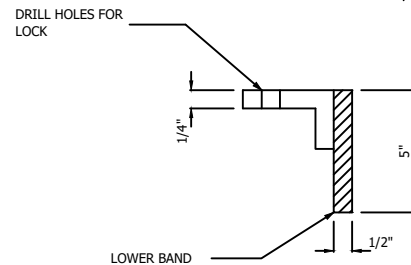
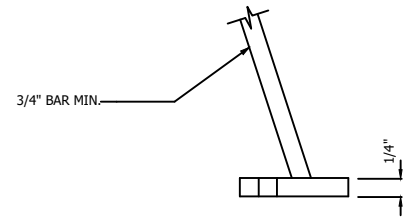
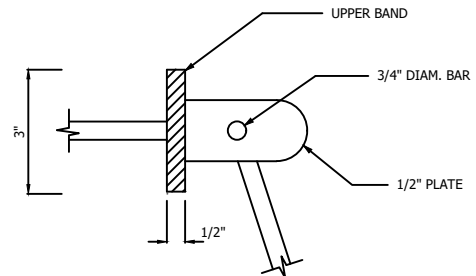


PLAN



ELEVATION



ENTRY GATE DETAIL

CB	LOWER BAND O.D.	UPPER BAND O.D.
48"	47.5"	19.5"
54"	53.5"	23.5"
60"	59.5"	23.5"
72"	71.5"	28.5"
96"	95.5"	36.0"

NOTES:

1. DEBRIS CAGE SHALL BE ATWOOD FABRICATION, OR EQUAL. MANUFACTURER SUBJECT TO APPROVAL BY CITY.
2. DEBRIS CAGE SHALL BE ALUMINUM 6061.

CITY OF KIRKLAND

PLAN NO. CK- D.28



DEBRIS CAGE