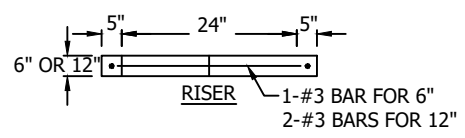
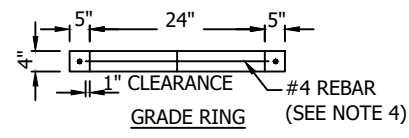
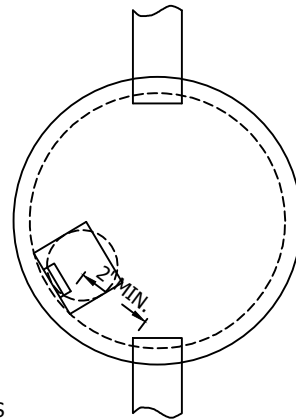
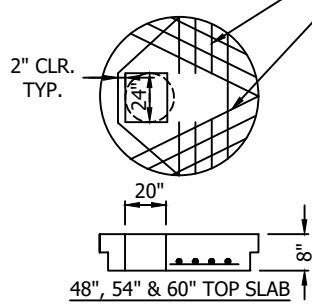
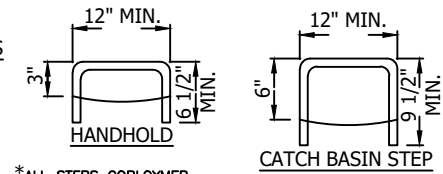
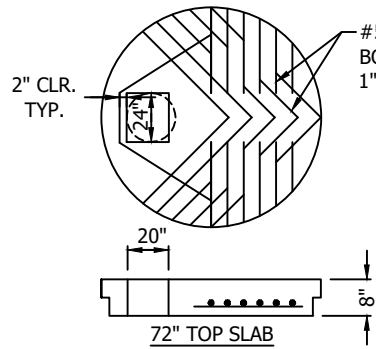


#4 BARS @ 6" CENTERS
BOTTOM FACE WITH
1" MIN. COVER

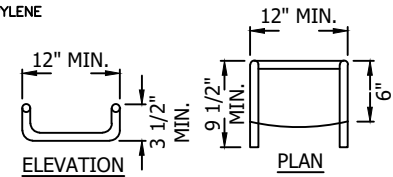


TYPICAL ORIENTATION
FOR ACCESS AND STEPS

#5 BARS @ 6" CENTERS
BOTTOM FACE WITH
1" MIN. COVER

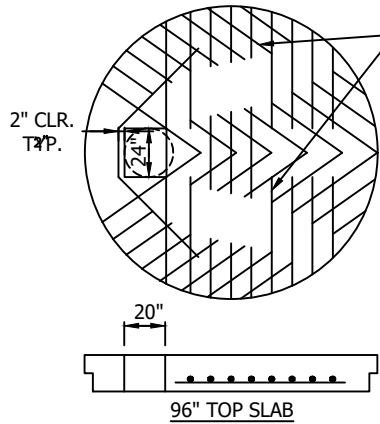


*ALL STEPS COPOLYMER
PROPYLENE



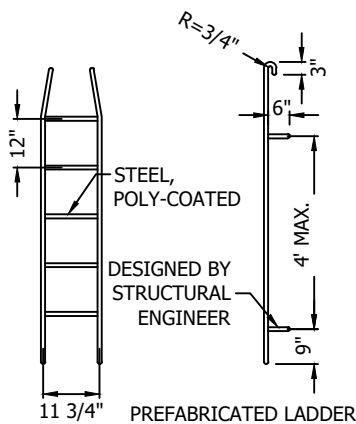
DROP RUNG
CATCH BASIN STEP

#6 BARS @ 7" CENTERS
BOTTOM FACE WITH
1" MIN. COVER



NOTES:

1. PROPRIETARY CATCH BASIN HANDHOLDS AND STEPS ARE ACCEPTABLE, PROVIDED THAT THEY CONFORM TO SEC. R, ASTM C478, AASHTO M-199 AND MEET ALL WISHA REQUIREMENTS. RETRO-REFLECTIVE MARKERS REQUIRED AT EACH END OF STEPS AND HAND-HOLDS.
2. CATCH BASIN STEP/HANDHOLD LEGS SHALL BE PARALLEL OR APPROXIMATELY RADIAL AT THE OPTION OF THE MANUFACTURER, EXCEPT THAT ALL STEPS IN ANY CATCH BASIN SHALL BE SIMILAR. PENETRATION OF OUTER WALL BY A LEG IS PROHIBITED.
3. HANDHOLDS AND STEPS SHALL HAVE "DROP" RUNGS AS SHOWN ON DETAIL OR PROTUBERANCES TO PREVENT SIDEWAYS SLIP.
4. SLAB OPENING MAY BE 24" X 20" RECTANGLE FOR CATCH BASIN OR 24" DIAM. CIRCLE FOR MANHOLE.
5. AS AN ACCEPTABLE ALTERNATIVE TO REBAR, WELDED WIRE FABRIC HAVING A MIN. AREA OF 0.12 SQUARE INCHES PER FOOT MAY BE USED. WELDED WIRE FABRIC SHALL COMPLY TO ASTM A497.
6. LADDERS OR STEPS SHALL EXTEND TO WITHIN 16" OF BOTTOM OF CATCH BASIN.
7. HANGING LADDERS SHALL BE PERMANENTLY FASTENED AT TOP BY HANGING ON STEP AND BY BOLTING.
8. ADDITIONAL SAFETY FEATURES MAY BE REQUIRED IN VERY DEEP OR UNUSUAL STRUCTURES.



CITY OF KIRKLAND

PLAN NO. CK - D.12



CATCH BASIN INLET
PRECAST COVER AND
EXTENSION UNITS