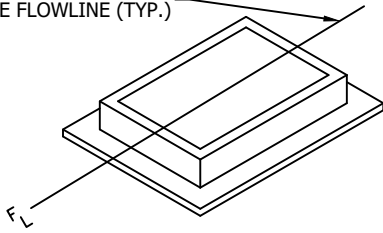
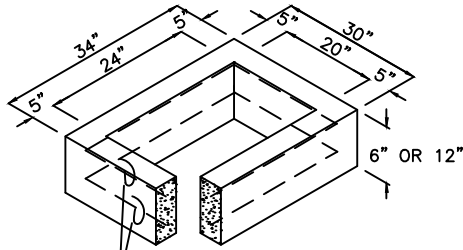


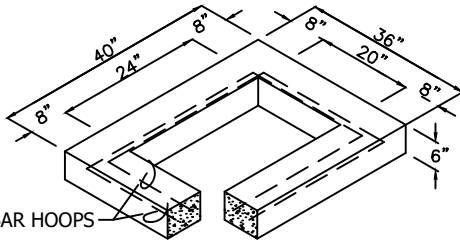
ALIGNMENT OF STRUCTURE TO PIPE FLOWLINE (TYP.)



FRAME AND GRATE (SEE APPLICABLE STANDARD DETAILS CK-D.11 THROUGH D.16)

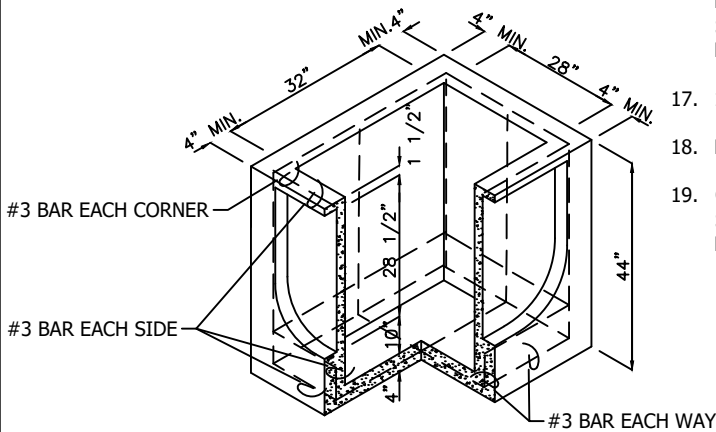


ONE #3 BAR HOOP FOR 6" RISER SECTION
TWO #3 BAR HOOPS FOR 12"



TWO #3 BAR HOOPS

6" REDUCING SECTION



#3 BAR EACH CORNER

#3 BAR EACH SIDE

#3 BAR EACH WAY

PRECAST BASE SECTION (MEASUREMENT AT THE TOP OF THE BASE)

NOTES

- CATCH BASINS SHALL BE CONSTRUCTED IN ACCORDANCE WITH ASTM C478 (AASHTO M 199) & C890 UNLESS OTHERWISE SHOWN ON PLANS OR NOTED IN THE STANDARD SPECIFICATIONS.
- AS AN ACCEPTABLE ALTERNATIVE TO REBAR, WELDED WIRE FABRIC HAVING A MIN. AREA OF 0.12 SQUARE INCHES PER FOOT MAY BE USED. WELDED WIRE FABRIC SHALL COMPLY TO ASTM A497 (AASHTO M 221). WIRE FABRIC SHALL NOT BE PLACED IN KNOCKOUTS.
- ALL REINFORCED CAST-IN-PLACE CONCRETE SHALL BE CLASS 4000.
- PRECAST BASES SHALL BE FURNISHED WITH CUTOUTS OR KNOCKOUTS. KNOCKOUTS SHALL HAVE A WALL THICKNESS OF 2" MIN. ALL PIPE SHALL BE INSTALLED IN FACTORY PROVIDED KNOCKOUTS. UNUSED KNOCKOUTS NEED NOT BE GROUTED IF WALL IS LEFT INTACT.
- KNOCKOUT OR CUTOUT HOLE SIZE IS EQUAL TO PIPE OUTER DIAM. PLUS CATCH BASIN WALL THICKNESS.
- KNOCKOUTS MAY BE ON ALL 4 SIDES WITH MAX. DIAM. OF 28". KNOCKOUTS MAY BE EITHER ROUND OR "D" SHAPE.
- THE TAPER ON THE SIDES OF THE PRECAST BASE SECTION AND RISER SECTION SHALL NOT EXCEED 1/2" PER FOOT.
- CATCH BASIN FRAME AND GRATE SHALL BE IN ACCORDANCE WITH STANDARD SPECIFICATIONS. MATING SURFACES SHALL BE FINISHED TO ASSURE NON-ROCKING FIT WITH ANY COVER POSITION.
- FRAME AND GRATE SHALL BE INSTALLED WITH FLANGE DOWN.
- MAX. DEPTH FROM FINISHED GRADE TO PIPE INVERT SHALL BE 5'-0".
- EDGE OF REDUCING SECTION OR BRICK SHALL NOT BE MORE THAN 2" FROM VERTICAL EDGE OF CATCH BASIN WALL.
- ACCEPTABLE PIPE SIZES ARE 8", 12", 15" OR 18". 6" PIPE IS ONLY ACCEPTABLE ON PRIVATE SYSTEMS.
- ROUND SOLID LOCKING LIDS REQUIRED WHENEVER CATCH BASIN DOES NOT COLLECT SURFACE WATER, OR WHEN LOCATED IN SIDEWALK AND PLANTER AREAS. SEE CK-D.18 AND CK-D.18A FOR REFERENCE.
- ROUND CONCRETE RISERS ARE REQUIRED FOR ROUND SOLID LOCKING LIDS.
- ALL NEW PVC PIPES SHALL BE INSTALLED WITH SAND COLLARS AND A NON-SHRINK GROUT. JETSET NOT ALLOWED.
- MAXIMUM RISE OF 20" X 24" RISER THROAT SHALL BE 12". IF MORE RISE IS NEEDED IT SHALL BE PROVIDED WITH AN ADDITIONAL RISER SECTION(S) BENEATH THE REDUCING SLAB, IF REDUCING SLAB IS REQUIRED.
- 1", 2", AND 4" RISERS ACCEPTED AS NEEDED.
- MINIMUM 10' FROM ADJACENT TREES, UNLESS OTHERWISE APPROVED.
- CLEAN SURFACE AND BOTTOM AREA. PROVIDE UNIFORM CONTACT. THE SURFACE AREA OF THE BASE SECTION MUST BE MORTARED TO THE BOTTOM AREA OF THE RISER SECTION.

CITY OF KIRKLAND

PLAN NO. CK - D.08



CATCH BASIN TYPE 1-L