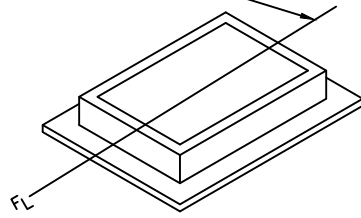
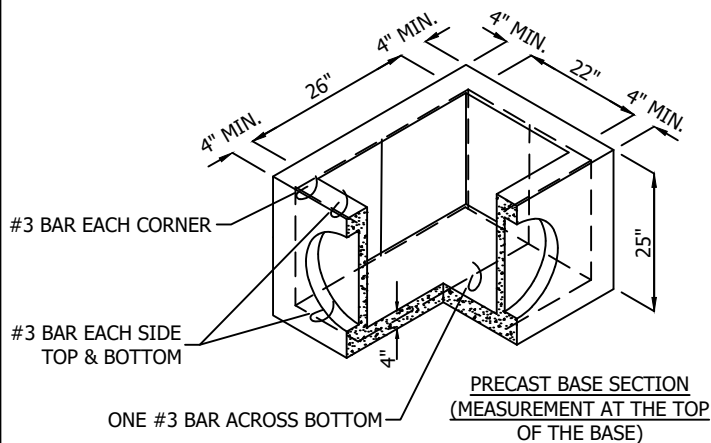
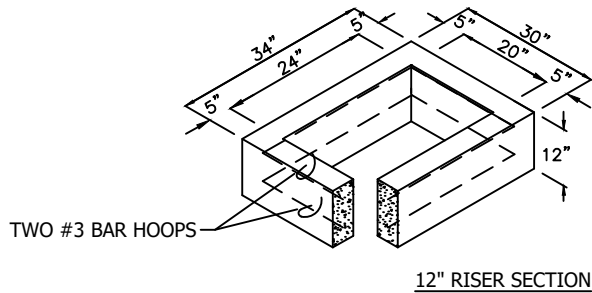
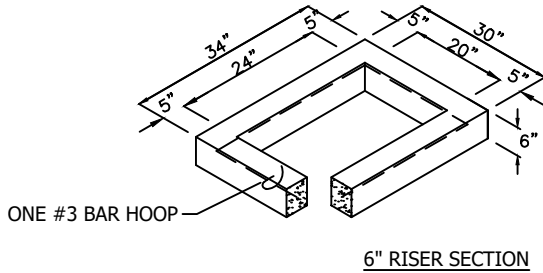


ALIGNMENT OF STRUCTURE  
TO PIPE FLOWLINE (TYP.)



FRAME AND GRATE (SEE APPLICABLE  
STANDARD DETAILS CK-D.11 THROUGH D.16A.)



NOTES:

LAST REVISED: 07/2021

1. CONCRETE INLET TO BE CONSTRUCTED IN ACCORDANCE WITH ASTM C478 (AASHTO M 199) & C890 UNLESS OTHERWISE SHOWN ON PLANS OR NOTED IN THE STANDARD SPECIFICATIONS.
2. AS AN ACCEPTABLE ALTERNATIVE TO REBAR, WELDED WIRE FABRIC HAVING A MIN. AREA OF 0.12 SQUARE INCHES PER FOOT MAY BE USED. WELDED WIRE FABRIC SHALL COMPLY TO ASTM A497 (AASHTO M 221). WIRE FABRIC SHALL NOT BE PLACED IN KNOCKOUTS.
3. ALL REINFORCED CAST-IN-PLACE CONCRETE SHALL BE CLASS 4000.
4. PRECAST BASES SHALL BE FURNISHED WITH CUTOUTS OR KNOCKOUTS. KNOCKOUTS SHALL HAVE A WALL THICKNESS OF 2" MIN. ALL PIPE SHALL BE INSTALLED IN FACTORY PROVIDED KNOCKOUTS. UNUSED KNOCKOUTS NEED NOT BE GROUTED IF WALL IS LEFT INTACT.
5. KNOCKOUT OR CUTOUT HOLE SIZE IS EQUAL TO PIPE OUTER DIAM. PLUS CURB INLET WALL THICKNESS.
6. ROUND KNOCKOUTS MAY BE ON ALL 4 SIDES WITH MAX. DIAM. OF 16".
7. THE MAX. DEPTH FROM THE FINISHED GRADE TO THE PIPE INVERT IS 5'-0".
8. THE TAPER ON THE SIDES OF THE PRECAST BASE SECTION AND RISER SECTION SHALL NOT EXCEED 1/2" PER FOOT.
9. CONCRETE INLET FRAME AND GRATES SHALL BE IN ACCORDANCE WITH STANDARD SPECIFICATIONS. MATING SURFACES SHALL BE FINISHED TO ASSURE NON-ROCKING FIT WITH ANY COVER POSITION.
10. FRAME AND GRATE SHALL BE INSTALLED WITH FLANGE DOWN.
11. APPROVAL BY THE CITY OF KIRKLAND REQUIRED.
12. CURB INLET MUST DRAIN TO CATCH BASIN WITH SUMP.
13. ALL NEW PVC PIPES SHALL BE INSTALLED WITH SAND COLLARS AND A NON-SHRINK GROUT. JETSET NOT ALLOWED.
14. 1", 2", AND 4" RISERS ACCEPTED AS NEEDED.
15. MINIMUM 10' FROM ADJACENT TREES, UNLESS OTHERWISE APPROVED.

CITY OF KIRKLAND

PLAN NO. CK - D.06



CURB INLET