

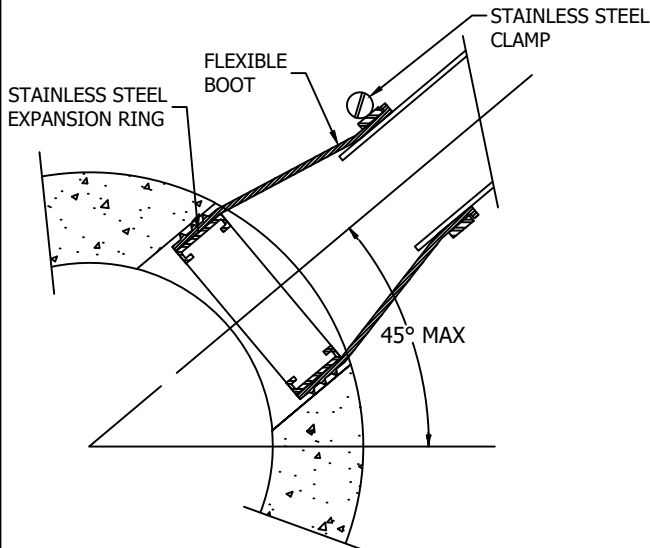
STORM DRAIN CONNECTIONS SHALL BE BY:

LAST REVISED: 07/2021

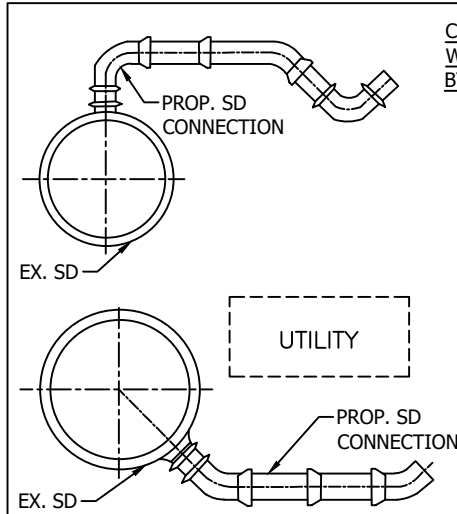
- CONNECTING TO AN EXISTING CATCH BASIN OR MANHOLE
- CONSTRUCTING A NEW CATCH BASIN OR MANHOLE ON THE EXISTING STORM DRAINAGE PIPELINE AND CONNECTING THE CONVEYANCE PIPELINE TO THIS STRUCTURE

ALTERNATIVE CONNECTIONS MAY ONLY BE ALLOWED WITH PRIOR APPROVAL BY THE CITY PUBLIC WORKS INSPECTOR:

- CUT-IN TEE
- INSERTA TEE (CORED PER MANUFACTURERS INSTRUCTIONS, SBR RUBBER SLEEVE AND GASKET TO SEAL AND SS METAL PARTS TO CLAMP)
- CORE AND SADDLE TAP (ROMAC SEWER SADDLE, OR EQUAL. LIMITED TO 4-INCH AND 6-INCH PRIVATE CONNECTIONS)



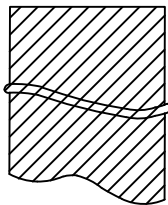
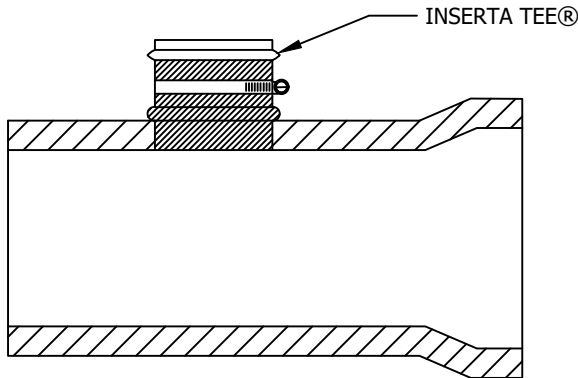
CORES TO CONCRETE MAINS SHALL BE DONE BY HOLE SAW. DRILL HOLES SHALL BE MADE BASED ON GIVEN TEE OPENING. SQUARE CUTS BY JIGSAW OR CIRCULAR SAW SHALL BE PROHIBITED.



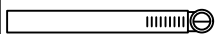
CONNECTIONS THAT WILL NOT BE APPROVED BY THE CITY INCLUDE:

- CONNECTIONS TO FORCE MAINS.
- CONNECTIONS OF LATERAL PIPES WITH A DIAMETER LARGER THAN THE MAINLINE PIPE.
- CONNECTIONS THAT RESEMBLE FIGURES TO THE LEFT.

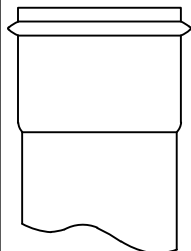
SERVICE LATERALS MUST BE AT LEAST ONE STANDARD PIPE SIZE SMALLER THAN THE MAINLINE PIPE INSIDE DIAMETER.



COMPLETE RUBBER SLEEVE (ASTM C-443) INCLUDES A MOLDED SEGMENT THAT HOLDS IT IN PLACE.



STAINLESS STEEL BAND (9/16" SERIES 300) SECURES UPPER HALF OF RUBBER SLEEVE TO THE PVC HUB



PVC HUB (ASTM 3034 SDR 35) DRIVE INTO CENTER OF RUBBER SLEEVE AFTER SLEEVE IS PLACED IN HOLE.

NOTES:

- 1.) ALL INSERTA-TEE HOLES SHALL BE MACHINE DRILLED.
- 2.) INSERTA-TEES ARE NOT APPROVED FOR NEW MAIN / LATERAL CONNECTION.

CITY OF KIRKLAND

PLAN NO. CK - D.03A



BLIND TEE CONNECTION