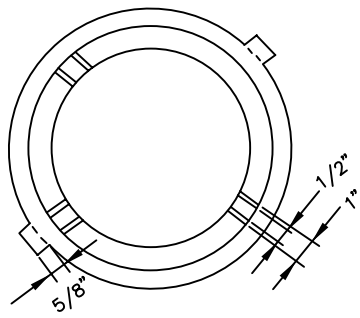
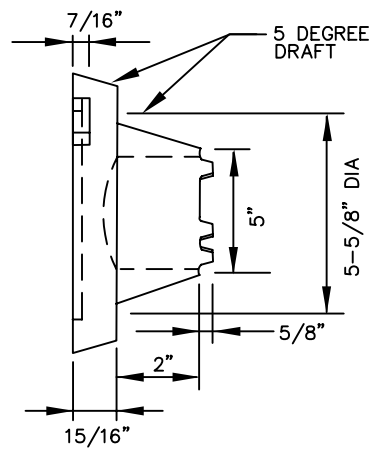
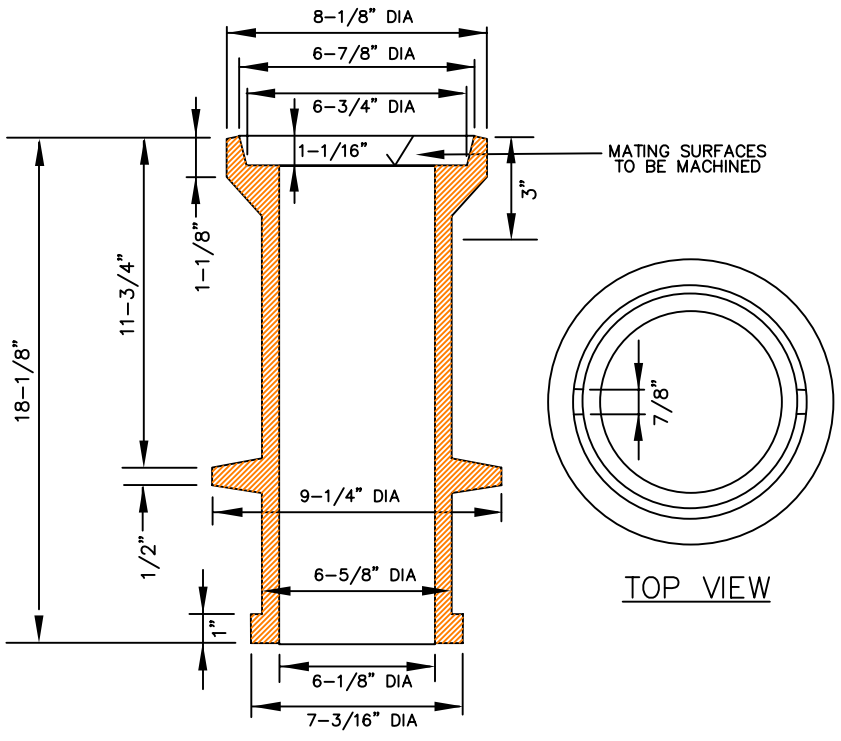


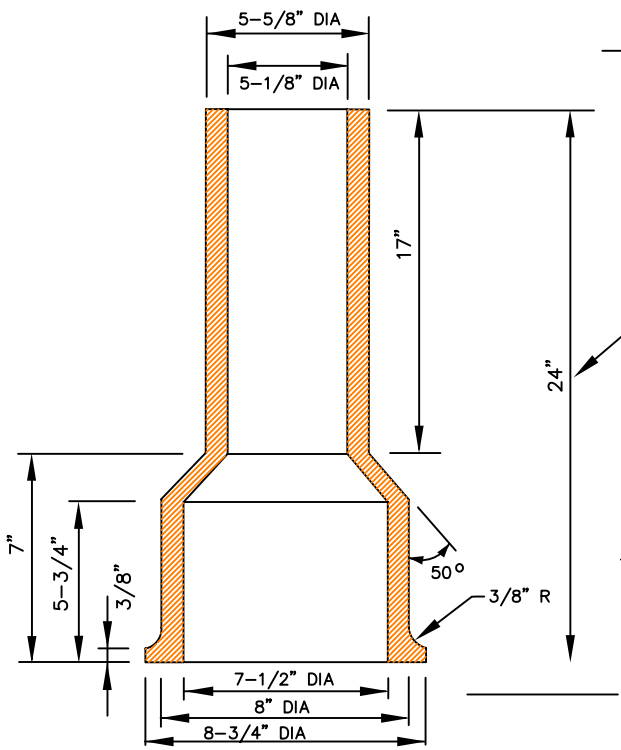
TOP VIEW



BOTTOM VIEW



18" VALVE BOX TOP  
NTS



24", 30", 36" VALVE BOX BASE  
NTS

ALSO AVAILABLE  
IN 30" AND 36"

**NOTES:**

1. IF NEEDED, USE MULTIPLE BASE SECTIONS STARTING WITH 36" BASE. "SOIL PIPE" WILL NOT BE ACCEPTED.
2. MATERIAL SHALL BE CAST IRON ASTM A48, CL30.
3. OLYMPIC FOUNDRY PRODUCT OR EQUIVALENT.

CITY OF KIRKLAND	
PLAN NO. CK-W.35	
	WATER VALVE BOX