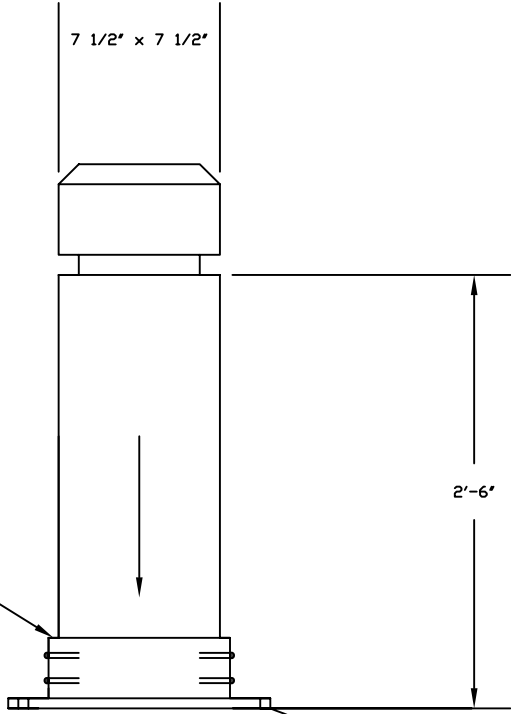
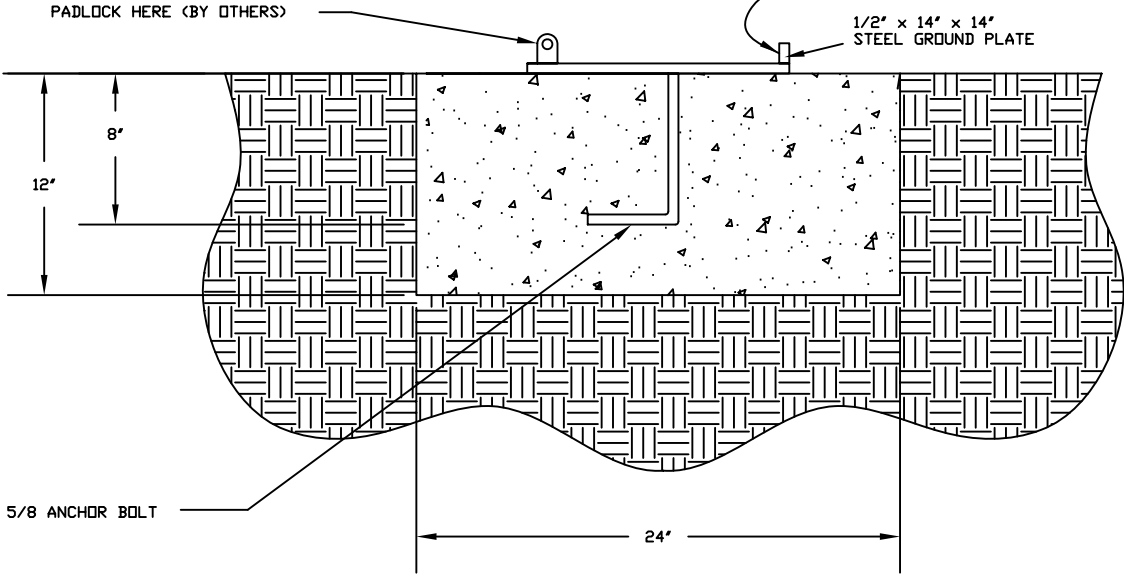


PLAN VIEW  
(BOLLARD & BASE PLATE)



1/2" x 14" x 14"  
STEEL BASE PLATE  
WITH 8" x 8" x 4"  
STEEL COLUMN

SECURED WITH 8 PIECES  
5/16" x 2" GALV. LAG BOLTS



PADLOCK HERE (BY OTHERS)

1/2" x 14" x 14"  
STEEL GROUND PLATE

2 PC. 5/8 ANCHOR BOLT

ELEVATION

NOTES:

- 1. 7 1/2' x 7 1/2' DOUGLAS FIR, ROUGH CUT. PRESSURE TREATED AFTER FABRICATION TO 40# OR REFUSAL CCA PER AWPA C-2, SUNWOOD, NON-INCISED.
- 2. STEEL HOT-DIPPED GALVANIZED AFTER FABRICATION

BOLLARD

CITY OF KIRKLAND	
PLAN NO. CK-R.61A	
	ALTERNATIVE BOLLARD