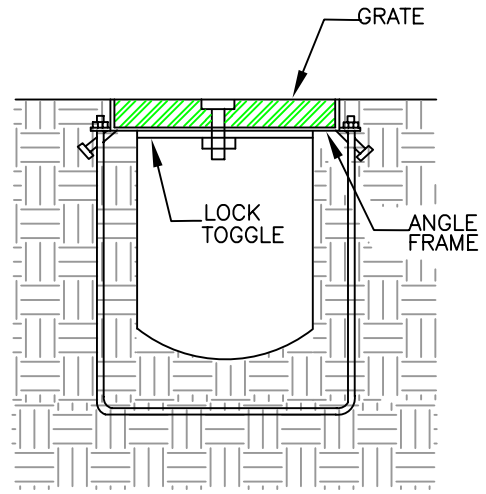
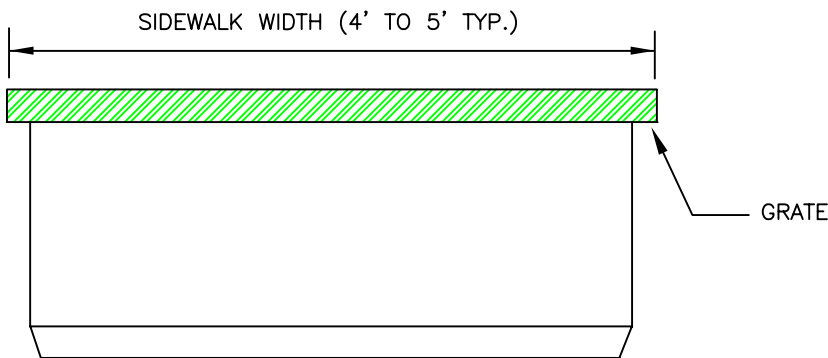


END VIEW - CONSTRUCTION

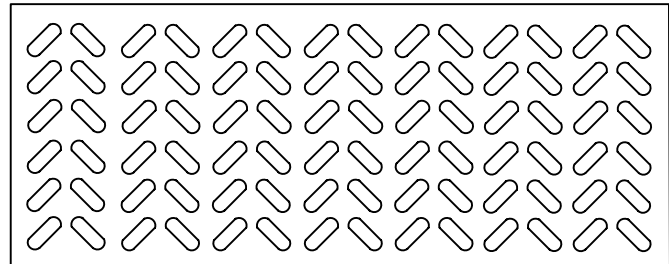


END VIEW POST CONSTRUCTION



SIDE VIEW

NOT TO SCALE



PLAN VIEW

NOTES:

1. PRODUCT IS TRENCH FORMER TFX (www.polycastdrain.com), OR EQUIVALENT.
2. TO BE USED IN LIEU OF D-19, WHEN CURB HEIGHT DOES NOT ALLOW PIPE INSTALLATION.
3. USE ADA/HEEL PROOF GRATE.

APPROVED MANUFACTURER:

POLYCAST
 3621 INDUSTRIAL PARK DRIVE
 LENOIR CITY, TN 37771
 TEL 1-800-346-3061

CITY OF KIRKLAND

PLAN NO. CK-D.19B



CHANNEL DRAIN
 FORMING SYSTEM