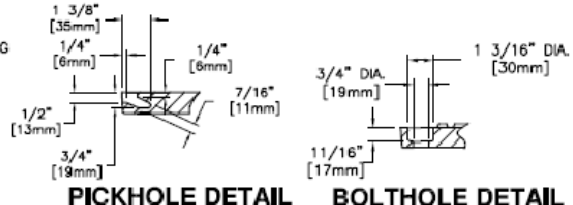


COVER SECTION

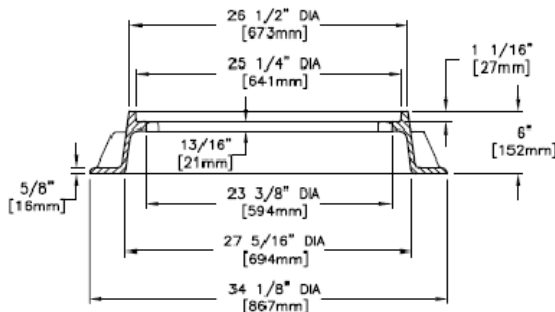


PICKHOLE DETAIL BOLT HOLE DETAIL

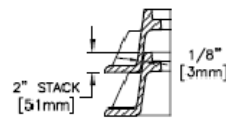
(3) BLT SOC. (ALLEN HEAD)
5/8"-11 X 1.5 SS



BOLT DETAIL



FRAME SECTION



STACKING DETAIL

NOTES:

1. COVERS SHALL BE GRAY IRON, LOCKING, WITH A MINIMUM WEIGHT OF 141 LBS.
2. MINIMUM WEIGHT OF FRAME SHALL BE 134 LBS.
3. PRODUCT SUPPLIED BY EAST JORDAN IRON WORKS, OLYMPIC FOUNDRY, OR APPROVED EQUAL.

CITY OF KIRKLAND	
PLAN NO. CK-D.18	
	<p style="font-size: 1.2em; margin: 0;">24" MANHOLE FRAME W/LOCKING COVER</p>