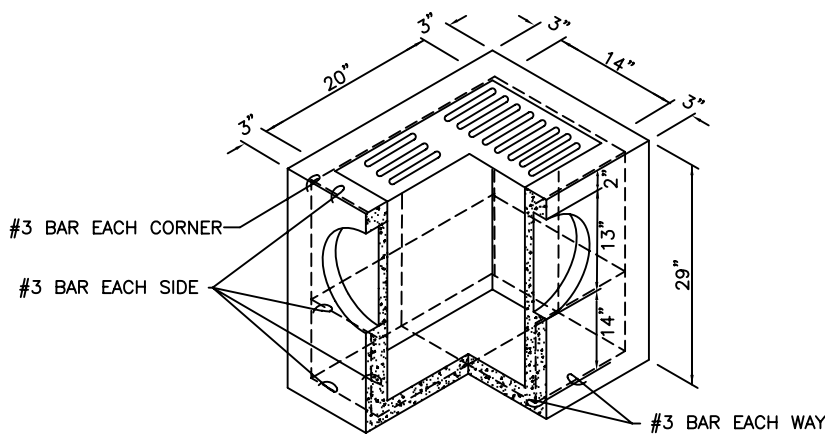
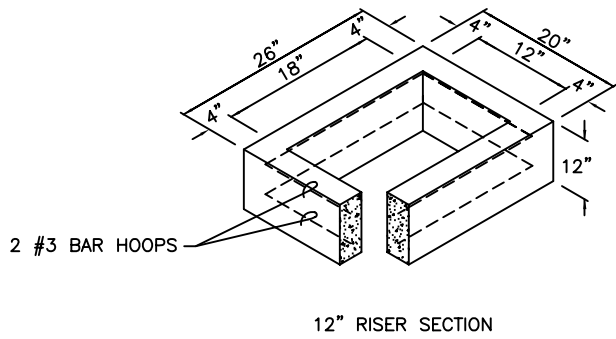
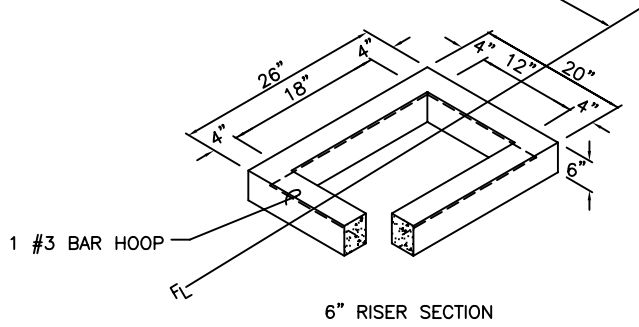


**NOTES:**

1. ALL REINFORCED CAST-IN-PLACE CONCRETE SHALL BE CLASS 4000.
2. PRECAST BASES SHALL BE FURNISHED WITH CUTOUTS OR KNOCKOUTS. KNOCKOUTS SHALL HAVE A WALL THICKNESS OF 2" MIN. ALL PIPE SHALL BE INSTALLED IN FACTORY PROVIDED KNOCKOUTS. UNUSED KNOCKOUTS NEED NOT BE GROUTED IF WALL IS LEFT INTACT.
3. KNOCKOUT OR CUTOUT HOLE SIZE IS EQUAL TO PIPE OUTER DIAM. PLUS CATCH BASIN WALL THICKNESS.
4. THE MAX. DEPTH FROM THE FINISHED GRADE TO THE PIPE INVERT IS 5'-0".
5. CATCH BASIN FRAME AND GRATE SHALL BE IN ACCORDANCE WITH STANDARD SPECIFICATIONS. MATING SURFACES SHALL BE FINISHED TO ASSURE NON-ROCKING FIT WITH ANY COVER POSITION.
6. CHANNELLING OF ON-SITE CATCH BASINS MAY BE REQUIRED FOR PRIVATE STORM DRAINAGE CONVEYANCE SYSTEMS.

ALIGNMENT OF STRUCTURE TO PIPE FLOWLINE, TYP.



PRECAST BASE SECTION  
(MEASUREMENT AT THE TOP  
OF THE BASE)

NOT TO SCALE

CITY OF KIRKLAND

PLAN NO. CK-D.05A



CATCH BASIN TYPE 40  
FOR PRIVATE SYSTEMS