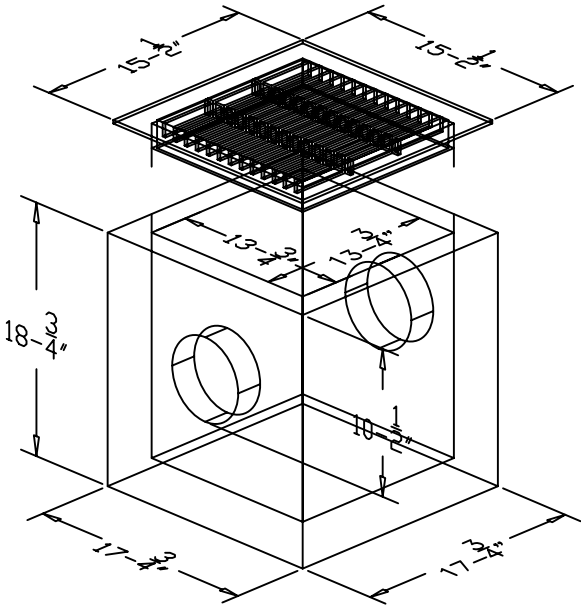


ROUND TYPE



SQUARE TYPE

NOTE

FOR USE IN NON-TRAFFIC AREAS ONLY,
SUCH AS ENCLOSED YARDS IN PRIVATE
RESIDENCES AND ENCLOSED PLAY AREAS IN
SCHOOL GROUNDS.

CITY OF KIRKLAND	
PLAN NO. CK-D.05	
	YARD DRAIN